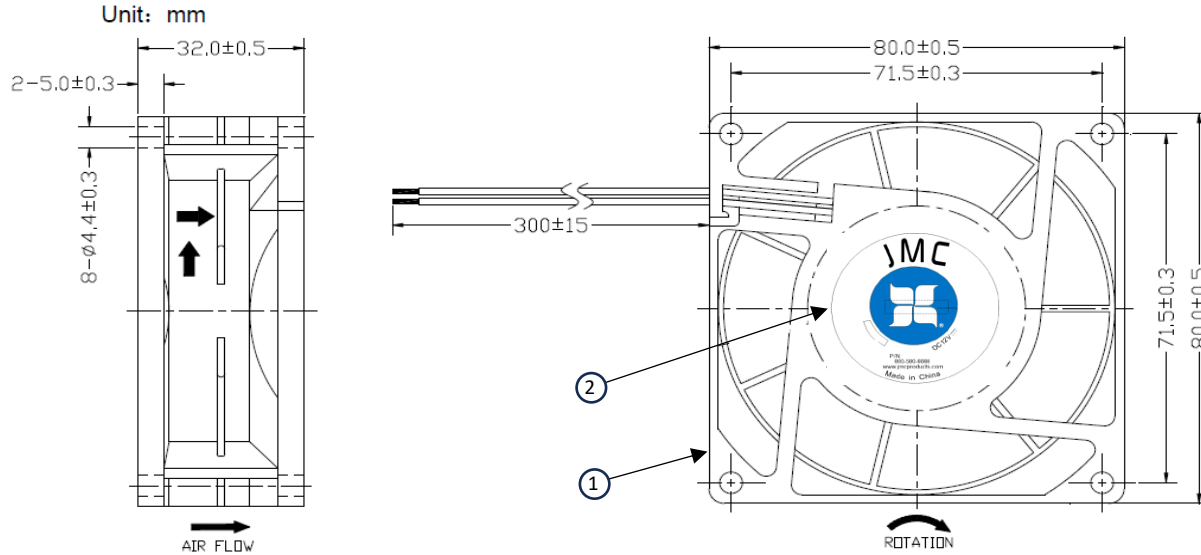


**NOT RELEASED FOR PRODUCTION**

Revision History				
EC No	REV	Date	Description	Approvals
NA	X00	4/1/24	Created Dwg.	JE

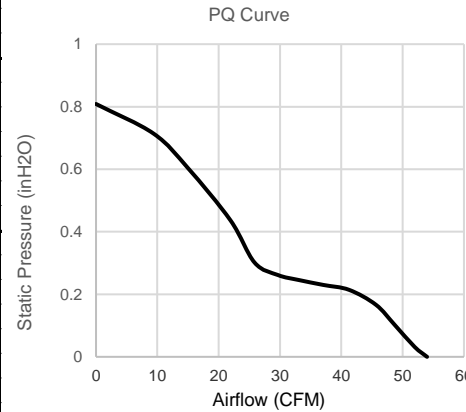



**NOTES**

1. THIS FAN AND ALL OF ITS COMPONENTS COMPLY WITH THE REQUIREMENTS OF RoHS DIRECTIVE EU 2015-863.
2. BASE MODEL FAN - ANY CHANGES TO SPECIFICATION REQUIRES NEW PART NUMBER AND DRAWING.

	ITEM	SPECIFICATION	UNITS / NOTES
MECHANICAL	Speed	6500 +/- 10%	RPM at 12 Vdc
	Airflow	54	CFM in Free Air
	Static Pressure	0.81	Inch, H <sub>2</sub> O
	Bearing Type	Dual Ball	N/A
	Operating Temp	(-)10 to 60	Deg C
	Storage Temp	(-)40 to 70	Deg C
	Noise Level	47.0	dBA Max at 1M
PHYSICAL	Blade Material	UL 94V-0	N/A
	Frame Material	UL 94V-0	N/A
	Wire Size	26	AWG
	Wire Type	UL 1007	N/A
	Wire Assembly	One Slot	N/A
Regulatory Approvals	Pending	N/A	
ELECTRICAL	Net Weight	TBD	Grams
	Operating Voltage	10.8 - 12.6	Vdc
	Start up Voltage	10.8	Vdc
	Start up PWM duty cycle	NA	%
	Rated Current	0.5	Amp
	Input Power	6	Watts
	Tach Output	N/A	Pulses/Rev
	Polarity Protection	Yes	N/A
	Motor Protection	Yes	Type 2, AR

WIRES DESIGNATION		
Item	FUNCTION	WIRE COLOR
1	PWR (+12V)	Red
2	GND (-)	Black



2	1	Logo Label	L08004B0003	JMC
1	1	Fan Model	8032-12	JMC
Item	Qty	Description	Part Number	MFG
Austin Texas, USA Dong Guan, PRC		 FAN, 80x32 mm, 12Vdc DBB, Base Model		
Drawn By Ana Aguirre		Size A1	Drawing Number 08004B0003	Rev X00
Engineer J. Elmo		Scale: None		Sheet 1 of 1

**PROPRIETARY NOTE**

This document is the property of JMC products and contains sensitive and confidential information. Neither this document nor any information it contains may be reproduced or distributed, without written permission by JMC products.