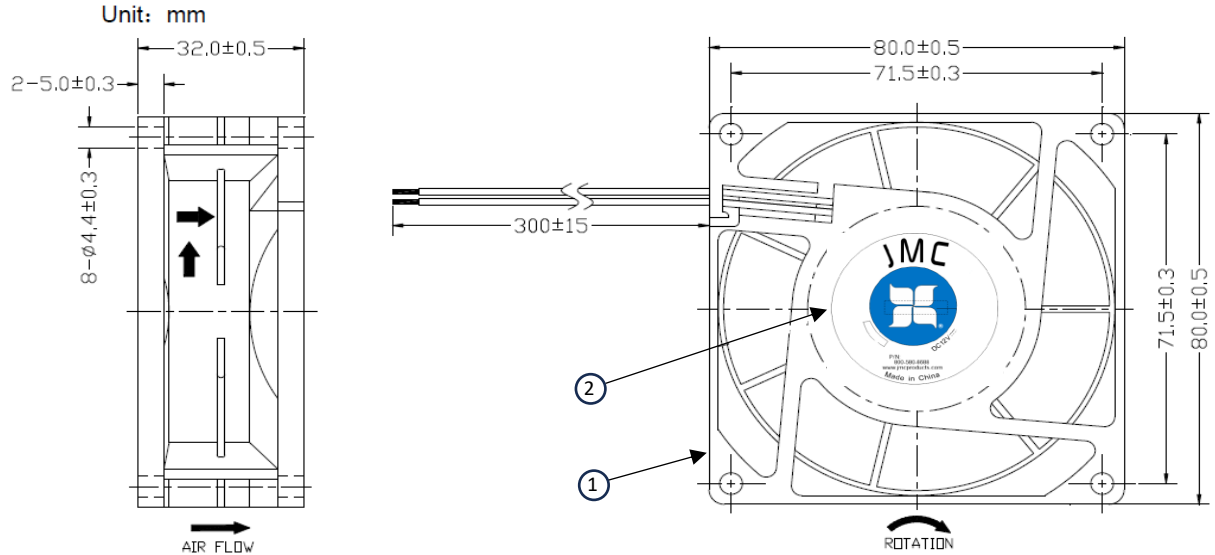


NOT RELEASED FOR PRODUCTION

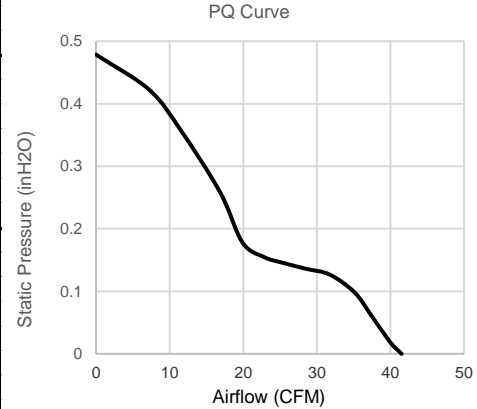
Revision History				
EC No	REV	Date	Description	Approvals
NA	X00	4/1/24	Created Dwg.	JE



- NOTES
1. THIS FAN AND ALL OF ITS COMPONENTS COMPLY WITH THE REQUIREMENTS OF RoHS DIRECTIVE EU 2015-863.
 2. BASE MODEL FAN - ANY CHANGES TO SPECIFICATION REQUIRES NEW PART NUMBER AND DRAWING.

	ITEM	SPECIFICATION	UNITS / NOTES
MECHANICAL	Speed	5000 +/- 10%	RPM at 12 Vdc
	Airflow	42	CFM in Free Air
	Static Pressure	0.48	Inch, H ₂ O
	Bearing Type	Dual Ball	N/A
	Operating Temp	(-)10 to 60	Deg C
	Storage Temp	(-)40 to 70	Deg C
	Noise Level	41.0	dBA Max at 1M
PHYSICAL	Blade Material	UL 94V-0	N/A
	Frame Material	UL 94V-0	N/A
	Wire Size	26	AWG
	Wire Type	UL 1007	N/A
	Wire Assembly	One Slot	N/A
Regulatory Approvals	Pending	N/A	
ELECTRICAL	Net Weight	TBD	Grams
	Operating Voltage	10.8 - 12.6	Vdc
	Start up Voltage	10.8	Vdc
	Start up PWM duty cycle	NA	%
	Rated Current	0.3	Amp
	Input Power	3.6	Watts
	Tach Output	N/A	Pulses/Rev
	Polarity Protection	Yes	N/A
	Motor Protection	Yes	Type 2, AR

WIRES DESIGNATION		
Item	FUNCTION	WIRE COLOR
1	PWR (+12V)	Red
2	GND (-)	Black



2	1	Logo Label	L08004B0002	JMC
1	1	Fan Model	8032-12	JMC
Item	Qty	Description	Part Number	MFG
Austin Texas, USA			FAN, 80x32 mm, 12Vdc	
Dong Guan, PRC			DBB, Base Model	
Drawn By		Size	Drawing Number	Rev
Ana Aguirre		A1	08004B0002	X00
Engineer		Scale: None		Sheet 1 of 1
J. Elmo				

PROPRIETARY NOTE

This document is the property of JMC products and contains sensitive and confidential information. Neither this document nor any information it contains may be reproduced or distributed, without written permission by JMC products.