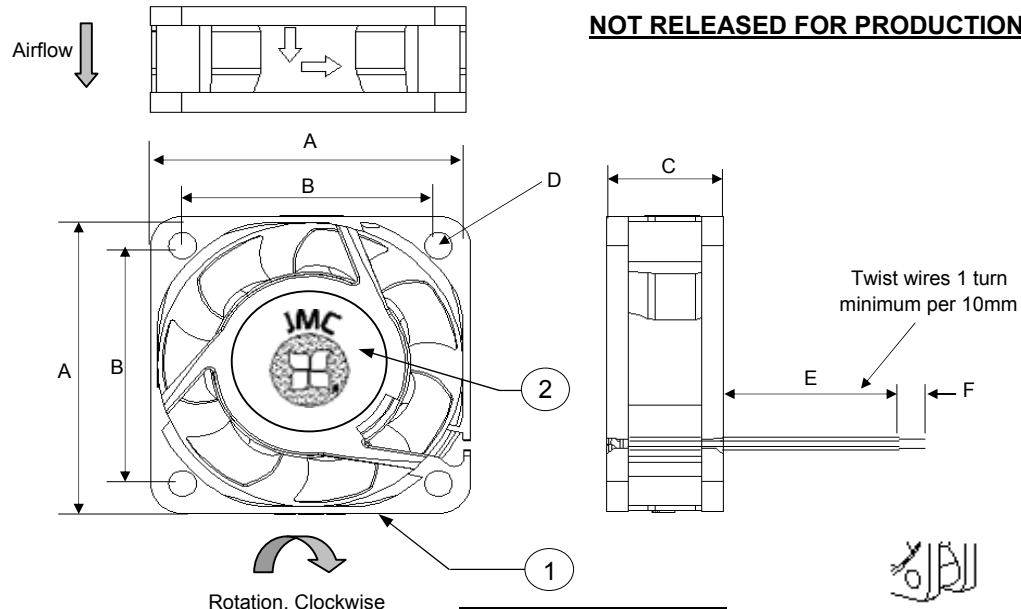


NOT RELEASED FOR PRODUCTION

Revision History				
EC No	REV	Date	Description	Approvals
NA	X00	10/30/2016	Created Dwg.	JE



NOTES

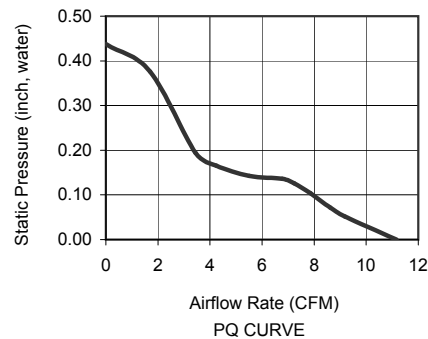
1. THIS FAN AND ALL OF ITS COMPONENTS COMPLY WITH THE REQUIREMENTS OF RoHS DIRECTIVE 2011/65/EU
2. BASE MODEL FAN - ANY CHANGES TO SPECIFICATION REQUIRES NEW PART NUMBER AND DRAWING.

Frame Type (Closed Barrell)

WIRE DESIGNATION	
FUNCTION	WIRE COLOR
GND (-)	Black
PWR (+)	Red

All Dimensions in mm	
A	40 +/- 0.5
B	32 +/- 0.3
C	15 +/- 0.5
D	4 x 3.5 +/- 0.3
E	300 +/- 30
F	6.4 +/- 1.0

	ITEM	SPECIFICATION	UNITS / NOTES
MECHANICAL	Speed	9000 +/- 10%	RPM at 12 Vdc
	Airflow	11.16	CFM in Free Air
	Static Pressure	0.44	Inch, H ₂ O
	Bearing Type	DBB	N/A
	Operating Temp	(-)10 to 70	Deg C
	Storage Temp	(-) 40 to 70	Deg C
PHYSICAL	Noise Level	31.2	dBA at 1M
	Blade Material	UL 94V-0	N/A
	Frame Material	UL 94V-0	N/A
	Wire Size	26	AWG
	Wire Type	UL 1007	N/A
	Wire Assembly	First and Second Slot	N/A
ELECTRICAL	Regulatory Approvals	UL CUL TUV	N/A
	Net Weight	TBD	Grams
	Operating Voltage	10.8 -13.2	Vdc
	Start Up Voltage	10.8	Vdc
	Rated Current	0.12 (0.14 Max)	Amp
	Input Power	1.44 (1.68 Max)	Watts
	Tach Output	N/A	Pulses/Rev
	Polarity Protection	Yes	N/A
Motor Protection	Yes	Type 2	



2	1	Logo Label	L04009B0003	JMC
1	1	Fan Model	4015 - 12	JMC
Item	Qty	Description	Part Number	MFG
Austin Texas, USA Dong Guan, PRC		Fan, 40 x 15 mm, 12Vdc, DBB, Base Model		
Drawn By A. Aguirre			Size A1	Drawing Number 04009B0003
Engineer J. Elmo		Scale: None		Sheet 1 of 1

PROPRIETARY NOTE

This document is the property of JMC products and contains sensitive and confidential information. Neither this document nor any information it contains may be reproduced or distributed, without written permission by JMC products.