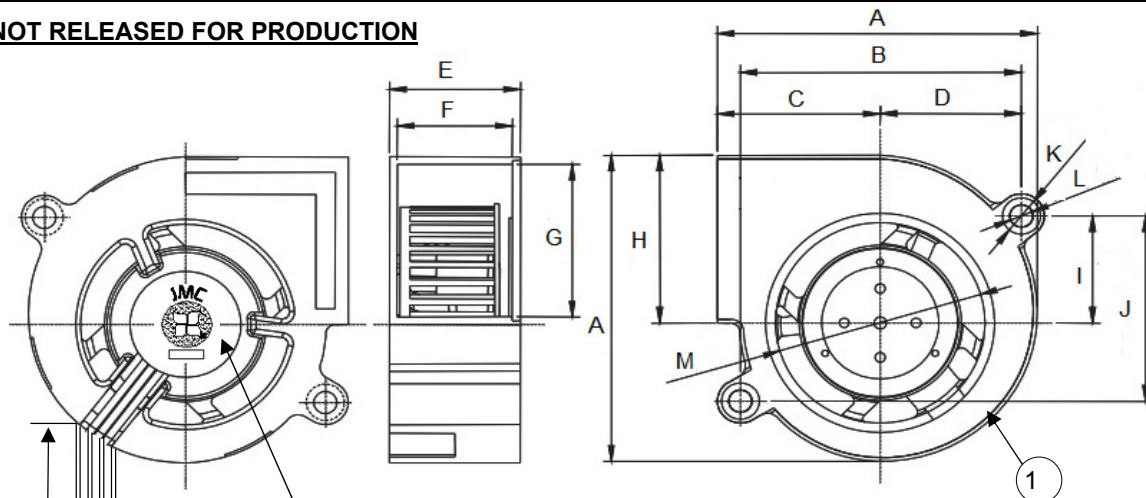


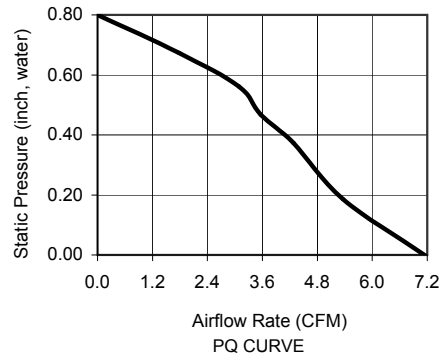
NOT RELEASED FOR PRODUCTION



WIRE DESIGNATION	
WIRE COLOR	FUNCTION
Black	GND (-)
Yellow	PWR (+)
Green	Signal (Tach)
Blue	PWM

All Dimensions in mm	
A	48.92 +/- 0.5
B	43 +/- 0.3
C	24.9
D	21.6
E	20 +/-0.5
F	17.6
G	24.4
H	26.8
I	17.1
J	29.6 +/- 0.3
K	2x Ø6.6 +/- 0.1
L	2x Ø3.5 +/- 0.1
M	Ø32
N	152 +/- 15
O	6.4 +/- 1

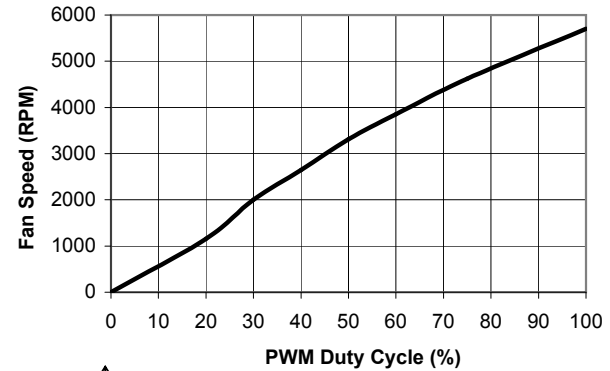
	ITEM	SPECIFICATION	UNITS / NOTES
MECHANICAL	Speed	5700 +/- 10%	RPM at 12 Vdc
	Airflow	7.14	CFM in Free Air
	Static Pressure	0.80	Inch, H ₂ O
	Bearing Type	Dual Ball	N/A
	Operating Temp	(-)10 to 70	Deg C
	Storage Temp	(-)40 to 70	Deg C
	Noise Level	34.9	dBA Max at 1M
	Blade Material	UL 94V-0	N/A
	Frame Material	UL 94V-0	N/A
	Wire Size	28	AWG
PHYSICAL	Wire Type	UL 1571	N/A
	Wire Assembly	First Slot Only	N/A
	Regulatory Approvals	TBD	N/A
	Net Weight	30.0	Grams
ELECTRICAL	Operating Voltage	10.8 - 13.2	Vdc
	Start up Voltage	NA	Vdc
	Start up PWM duty cycle	30	%
	Rated Current	0.12 (0.14 Max)	Amp
	Input Power	1.44 (1.68 Max)	Watts
	Tach Output	2.0	Pulses/Rev
	Polarity Protection	Yes	N/A
	Motor Protection	2	Type 2



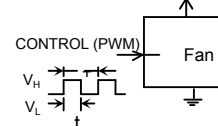
Revision History				
EC No	REV	Date	Description	Approvals
NA	X00	7/11/16	Created Dwg.	JE

NOTES

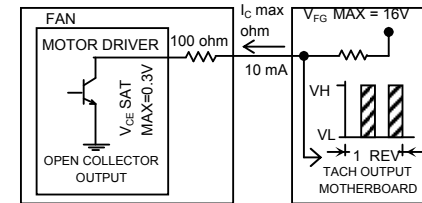
1. THIS FAN AND ALL OF ITS COMPONENTS COMPLY WITH THE REQUIREMENTS OF RoHS DIRECTIVE 2011/65/EU
2. BASE MODEL FAN - ANY CHANGES TO SPECIFICATION REQUIRES NEW PART NUMBER AND DRAWING.
3. RPM TOLERANCE IS +/-30% AT DUTY CYCLES BELOW 30%. AT DUTY CYCLES BETWEEN 30% AND 100%, RPM TOLERANCE CONVERGES LINEARLY TO 10%.



PWM DUTY CYCLE vs. FAN SPEED AT 12V



DUTY CYCLE = $t/T \times 100\%$
 PWM Fcy: 25KHz +/-5KHz
 PWM_High V_H: 2.8V - 5.5V
 PWM_Low V_L: 0V - 0.8V
 PWM Pin Open: Full Speed
 FRONT END PWM CIRCUIT



TACH OUTPUT ELECTRICAL CHARACTERISTICS

2	1	Logo Label	L05005B0004	JMC
1	1	Fan Model	B5020-12	JMC
Item	Qty	Description	Part Number	MFG

Austin Texas, USA Dong Guan, PRC	<p>The Fan Company</p>	Blower, 50x20 mm, 12Vdc, PWM, DBB, Base Model	
Drawn By A. Aguirre		Size A1	Drawing Number 05005B0004
Engineer J. Elmo	Scale: None		Sheet 1 of 1

PROPRIETARY NOTE