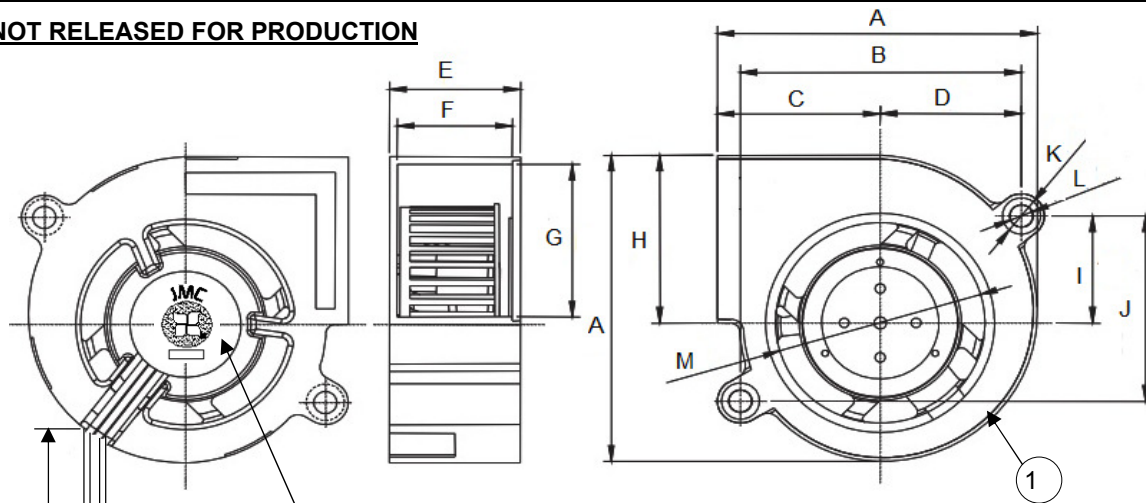


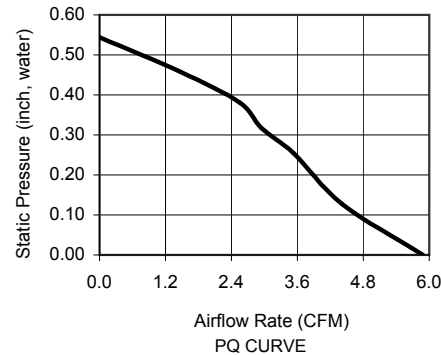
NOT RELEASED FOR PRODUCTION



WIRE DESIGNATION	
WIRE COLOR	FUNCTION
Black	GND (-)
Red	PWR (+)

All Dimensions in mm	
A	48.92 +/- 0.5
B	43 +/- 0.3
C	24.9
D	21.6
E	20 +/-0.5
F	17.6
G	24.4
H	26.8
I	17.1
J	29.6 +/- 0.3
K	2x Ø6.6 +/- 0.1
L	2x Ø3.5 +/- 0.1
M	Ø32
N	152 +/- 15
O	6.4 +/- 1

	ITEM	SPECIFICATION	UNITS / NOTES
MECHANICAL	Speed	4700 +/- 10%	RPM at 12 Vdc
	Airflow	5.88	CFM in Free Air
	Static Pressure	0.54	Inch, H ₂ O
	Bearing Type	Dual Ball	N/A
	Operating Temp	(-)10 to 70	Deg C
	Storage Temp	(-)40 to 70	Deg C
PHYSICAL	Noise Level	30.7	dBA Max at 1M
	Blade Material	UL 94V-0	N/A
	Frame Material	UL 94V-0	N/A
	Wire Size	28	AWG
	Wire Type	UL 1571	N/A
	Wire Assembly	First Slot Only	N/A
ELECTRICAL	Regulatory Approvals	TBD	N/A
	Net Weight	30.0	Grams
	Operating Voltage	10.8 - 13.2	Vdc
	Start up Voltage	10.8	Vdc
	Start up PWM duty cycle	NA	%
	Rated Current	0.10 (0.12 Max)	Amp
	Input Power	1.20 (1.44 Max)	Watts
	Tach Output	NA	Pulses/Rev
	Polarity Protection	Yes	N/A
	Motor Protection	2	Type 2



Revision History				
EC No	REV	Date	Description	Approvals
NA	X00	7/11/16	Created Dwg.	JE

NOTES

1. THIS FAN AND ALL OF ITS COMPONENTS COMPLY WITH THE REQUIREMENTS OF RoHS DIRECTIVE 2011/65/EU
2. BASE MODEL FAN - ANY CHANGES TO SPECIFICATION REQUIRES NEW PART NUMBER AND DRAWING.

2	1	Logo Label	L05005B0002	JMC
1	1	Fan Model	B5020-12	JMC
Item	Qty	Description	Part Number	MFG
Austin Texas, USA Dong Guan, PRC		Blower, 50x20 mm, 12Vdc, DBB, Base Model		
Drawn By A. Aguirre		Size A1	Drawing Number 05005B0002	Rev X00
Engineer J. Elmo		Scale: None		Sheet 1 of 1

PROPRIETARY NOTE

This document is the property of JMC products and contains sensitive and confidential information. Neither this document nor any information it contains may be reproduced or distributed, without written permission by JMC products.