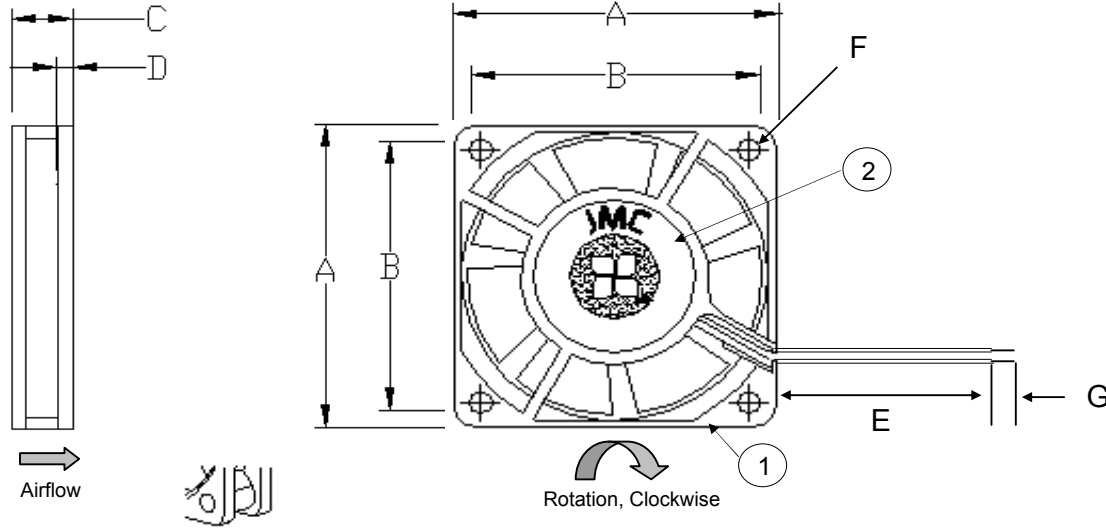


NOT RELEASED FOR PRODUCTION

Revision History				
EC No	REV	Date	Description	Approvals
NA	X00	3/12/08	Created Dwg.	JE
NA	X01	12/10/13	Updt. Note 1	JE
NA	X02	9/18/15	Updt. Current	JE



Frame Type (Closed Barrell)

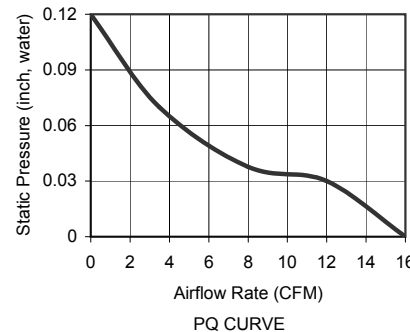
WIRE DESIGNATION	
WIRE COLOR	FUNCTION
Red	PWR (+)
Black	GND (-)

All Dimensions in mm	
A	60 +/- 0.5
B	50 +/- 0.3
C	15 +/- 0.5
D	3.5 +/- 0.3
E	300 +/- 30
F	4 X 4.3 Dia +/- 0.3
G	6.4 +/- 1.0

NOTES

1. THIS FAN AND ALL OF ITS COMPONENTS COMPLY WITH THE REQUIREMENTS OF RoHS DIRECTIVE 2011/65/EU
2. THIS IS A BASE MODEL FAN. ANY CHANGES TO THE SPECIFICATIONS WILL REQUIRE A NEW PART NUMBER AND DRAWING.

	ITEM	SPECIFICATION	UNITS / NOTES
MECHANICAL	Speed	3500 +/- 10%	RPM at 12 Vdc
	Airflow	16.0	CFM in Free Air
	Static Pressure	0.12	Inch, H ₂ O
	Bearing Type	Ball, Dual	N/A
	Operating Temp	(-)10 to 70	Deg C
	Storage Temp	(-) 40 to 70	Deg C
	Noise Level	29.5	dBA Max at 1M
PHYSICAL	Blade Material	UL 94V-0	N/A
	Frame Material	UL 94V-0	N/A
	Wire Size	26.0	AWG
	Wire Type	UL1007	N/A
	Wire Assembly	First Slot	N/A
ELECTRICAL	Regulatory Approvals	UL CUL TUV	N/A
	Net Weight	TBD	Grams
	Operating Voltage	10.8 - 13.2	Vdc
	Start up Voltage	10.8	Vdc or %
	Rated Current	0.10 (0.11 Max)	Amp
	Input Power	1.20 (1.32 Max)	Watts
	Tach Output	N/A	Pulses/Rev
Polarity Protection	Yes	N/A	
Motor Protection	Yes	Type 1	



2	1	Logo Label	L06001B0001	JMC
1	1	Fan Model	6015 - 12	JMC
Item	Qty	Description	Part Number	MFG
Austin Texas, USA Dong Guan, PRC			Fan, 60x15 mm, 12Vdc, DBB,, Base Model	
Drawn By P. Chapman			Size A1	Drawing Number 06001B0001
Electrical Engineer J. Elmo		Scale: None		Sheet 1 of 1

PROPRIETARY NOTE

This document is the property of JMC products and contains sensitive and confidential information. Neither this document nor any information it contains may be reproduced or distributed, without written permission by JMC products.