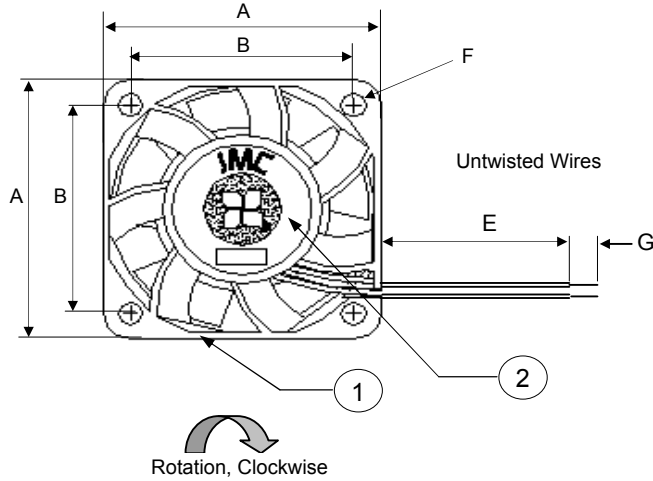
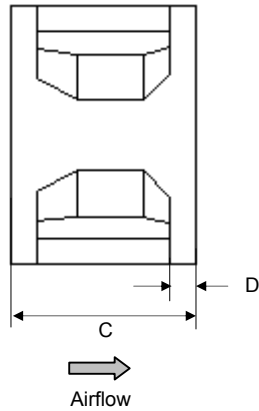


NOT RELEASED FOR PRODUCTION



Revision History				
EC No	REV	Date	Description	Approvals
NA	X00	12/17/14	Created Dwg.	JE

NOTES

1. THIS FAN AND ALL OF ITS COMPONENTS COMPLY WITH THE REQUIREMENTS OF RoHS DIRECTIVE 2011/65/EU
2. BASE MODEL FAN - ANY CHANGES TO SPECIFICATION REQUIRES NEW PART NUMBER AND DRAWING.

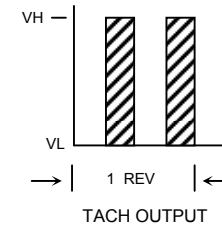
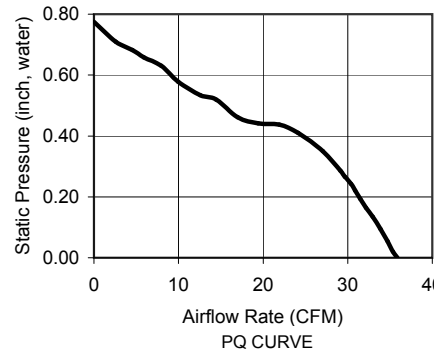
WIRE DESIGNATION	
WIRE COLOR	FUNCTION
Black	GND (-)
Yellow	PWR (+)

All Dimensions in mm	
A	60 +/- 0.5
B	50.1 +/- 0.3
C	38 +/- 0.5
D	4 +/- 0.3
E	300 +/- 30
F	8 X 4.4 +/- 0.3
G	6.4 +/- 1.0



Frame Type (Open Flange)

	ITEM	SPECIFICATION	UNITS / NOTES
MECHANICAL	Speed	8500	RPM at 12 Vdc
	Airflow	35.87	CFM in Free Air
	Static Pressure	0.77	Inch, H ₂ O
	Bearing Type	Dual Ball	N/A
	Operating Temp	(-)10 to 60	Deg C
	Storage Temp	(-) 40 to 70	Deg C
	Noise Level	53.3	dBa Max at 1M
PHYSICAL	Blade Material	UL 94V-0	N/A
	Frame Material	UL 94V-0	N/A
	Wire Size	24	AWG
	Wire Type	UL 1061	N/A
	Wire Assembly	First Slot	N/A
	Regulatory Approvals	UL CUL TUV	N/A
ELECTRICAL	Net Weight	89.0	Grams
	Operating Voltage	10.8 - 13.2	Vdc
	Start up voltage	10.8	Vdc
	Start up PWM duty cycle	N/A	%
	Rated Current	1.18 (1.35 Max)	Amp
	Input Power	14.16 (16.2 Max)	Watts
	Tach Output	N/A	Pulses/Rev
	Polarity Protection	Yes	N/A
	Motor Protection	Yes	Type 2



2	1	Logo Label	L06006B0001	JMC
1	1	Fan Model	6038-12	JMC
Item	Qty	Description	Part Number	MFG

Austin Texas, USA Dong Guan, PRC				Fan, 60x38FV, 12Vdc Dual Ball, Base Model	
Drawn By A. Aguirre				Size A1	Drawing Number 06006B0001
Engineer J. Elmo		Scale: None		Sheet 1 of 1	

PROPRIETARY NOTE

This document is the property of JMC products and contains sensitive and confidential information. Neither this document nor any information it contains may be reproduced or distributed, without written permission by JMC products.