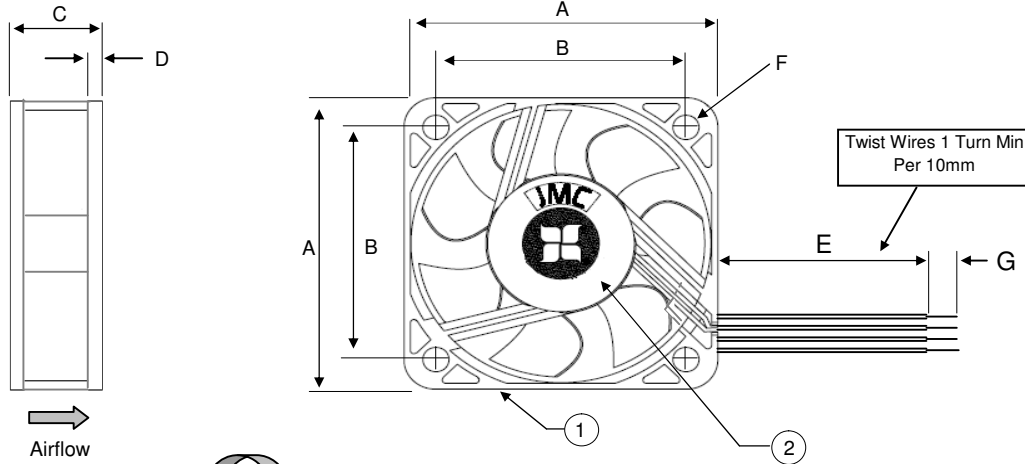


NOT RELEASED FOR PRODUCTION

Revision History

EC No	REV	Date	Description	Approvals
NA	X00	12/12/14	Created Dwg.	JE

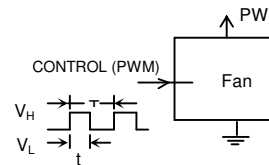


Rotation, Clockwise

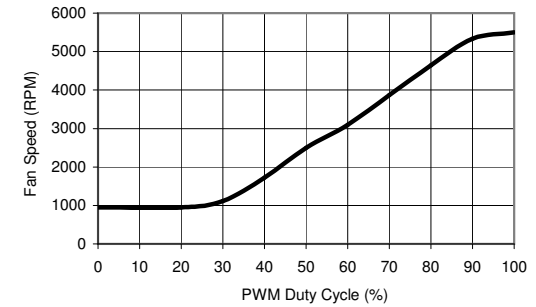
WIRE DESIGNATION	
WIRE COLOR	FUNCTION
Black	GND (-)
Yellow	PWR (+)
Green	TACH
Blue	PWM

All Dimensions in mm	
A	50 +/- 0.5
B	40 +/-0.3
C	25 +/-0.3
D	4.0 +/-0.3
E	300 +/- 30
F	8 X 4.4 Dia +/- 0.2
F	6.4 +/- 1.0

Frame Type (Open Flange)

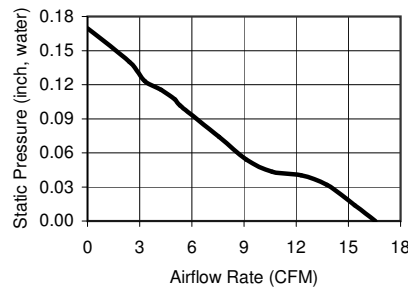


DUTY CYCLE = $t/T \times 100\%$
 PWM Fcy: 25KHz +/-5KHz
 PWM_High V_H : 2.8V - 5.5V
 PWM_Low V_L : 0V - 0.8V
 PWM Pin Open: Full Speed
 FRONT END PWM CIRCUIT

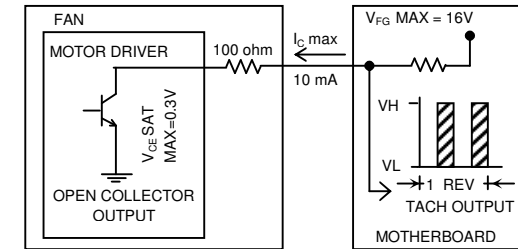


PWM DUTY CYCLE vs. FAN SPEED

	ITEM	SPECIFICATION	UNITS / NOTES
MECHANICAL	Speed	5500	RPM at 12 Vdc
	Airflow	16.55	CFM in Free Air
	Static Pressure	0.17	Inch, H ₂ O
	Bearing Type	Dual Ball	N/A
	Operating Temp	(-)10 to 70	Deg C
	Storage Temp	(-) 40 to 70	Deg C
	Noise Level	33.4	dBA Max at 1M
	Blade Material	UL 94V-0	N/A
	Frame Material	UL 94V-0	N/A
	Wire Size	26.0	AWG
PHYSICAL	Wire Type	UL 1007	N/A
	Wire Assembly	First Slot Only	N/A
	Regulatory Approvals	UL CUL TUV	N/A
	Net Weight	TBD	Grams
ELECTRICAL	Operating Voltage	10.8 - 13.2	Vdc
	Start up Voltage	NA	Vdc
	Start up PWM duty cycle	30.0	%
	Rated Current	0.15 (0.17 Max)	Amp
	Input Power	1.80 (2.04 Max)	Watts
	Tach Output	2	Pulses/Rev
	Polarity Protection	Yes	N/A
	Motor Protection	Yes	Type 2



PQ CURVE



TACH OUTPUT ELECTRICAL CHARACTERISTICS

2	1	Logo Label	L05003B0004	JMC
1	1	Fan Model	5025-12	JMC
Item	Qty	Description	Part Number	MFG

Austin Texas, USA Dong Guan, PRC		FAN, 50x25 MM 12V, DC PWM, DBB , Base Model	
Drawn By A. Aguirre		Size A1	Drawing Number 05003B0004
Electrical Engineer J. Elmo	Scale: None		Sheet 1 of 1

PROPRIETARY NOTE

This document is the property of JMC products and contains sensitive and confidential information. Neither this document nor any information it contains may be reproduced or distributed, without written permission by JMC products.