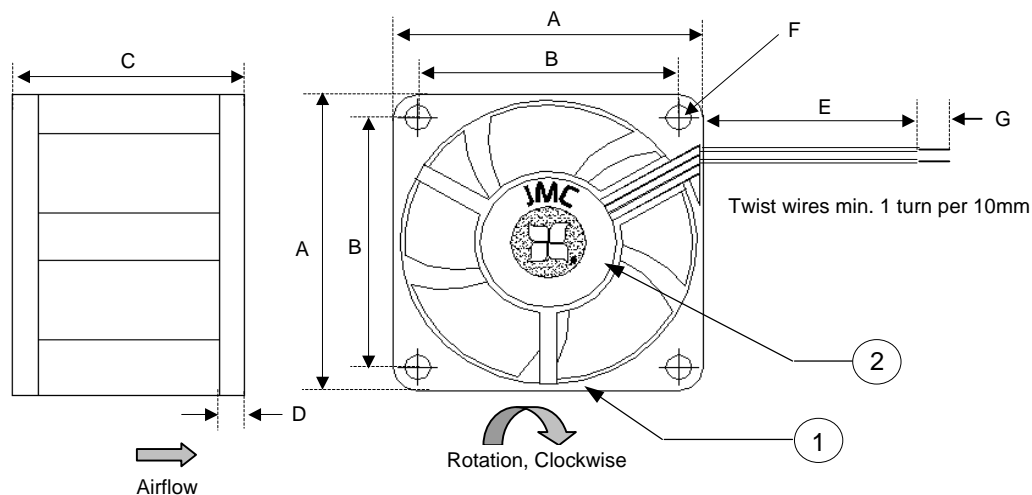


**RELEASED FOR PRODUCTION**

Revision History				
EC No	REV	Date	Description	Approvals
NA	X00	5/31/2008	Created Drg.	SA
NA	X01	1/27/2009	Chg wire size from 24 to 26	DG
110714	REL	4/24/2009	Released dwg.	JE
110794	A	12/7/2010	Updt. Operating Voltage	JE

**NOTES**

- THIS FAN AND ALL OF ITS COMPONENTS COMPLY WITH THE REQUIREMENTS OF RoHS DIRECTIVE 2002/95/EC
- BASE MODEL FAN - ANY CHANGES TO SPECIFICATION REQUIRES NEW PART NUMBER.



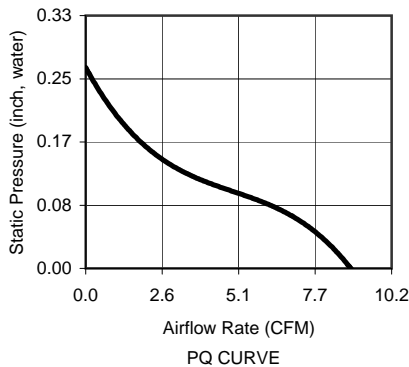
WIRE DESIGNATION	
Wire Color	Function
Black	GND
Red	PWR, 12Vdc

All Dimensions in mm	
A	38 +/- 0.5
B	32 +/-0.3
C	28 +/-0.5
D	3.0 +/-0.3
E	300 +/- 25
F	4 X 3.5 Dia +/- 0.3
G	6.4 +/- 1.0



Frame Type (Closed Barrell)

	ITEM	SPECIFICATION	UNITS / NOTES
MECHANICAL	Speed	9000 +/- 10%	RPM at 12 Vdc
	Airflow	9.0	CFM in Free Air
	Static Pressure	0.26	Inch, H <sub>2</sub> O
	Bearing Type	Dual Ball	N/A
	Operating Temp	(-)10 to 70	Deg C
	Storage Temp	(-)40 to 70	Deg C
	Noise Level	34.0	dBA Max at 1M
PHYSICAL	Blade Material	UL 94V-0	N/A
	Frame Material	UL 94V-0	N/A
	Wire Size	26	AWG
	Wire Type	UL 1007	N/A
	Wire Assembly	First Slot Only	N/A
ELECTRICAL	Regulatory Approvals	UL CUL TUV	N/A
	Net Weight	TBD	Grams
	Operating Voltage	10.8 - 13.2	Vdc
	Starting Voltage	10.8	Vdc
	Starting PWM Duty Cycle	NA	%
	Rated Current	0.26	Amp
	Input Power	3.12	Watts
	Tach Output	NA	Pulses/Rev
Polarity Protection	Yes	N/A	
Motor Protection	By Impedance	N/A	



Item	Qty	Description	Part Number	MFG
2	1	Logo Label	L03800B0002	JMC
1	1	Fan Model	3828 - 12	JMC

Austin Texas, USA Dong Guan, PRC		Fan, 38 X 28 mm, 12Vdc, Base Model		
Drawn By S. Apsangi		Size A1	Drawing Number 03800B0002	Rev A
Engineer J Elmo	Scale: None		Sheet 1 of 1	

PROPRIETARY NOTE

This document is the property of JMC products and contains sensitive and confidential information. Neither this document nor any information it contains may be reproduced or distributed, without written permission by JMC products.