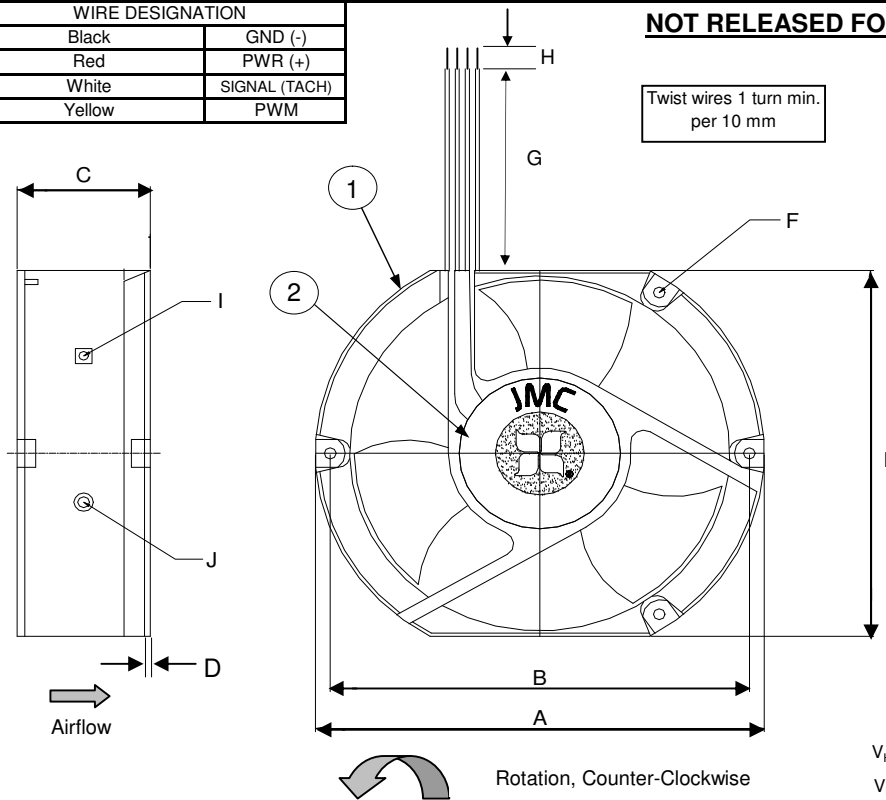


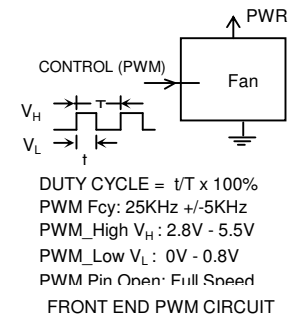
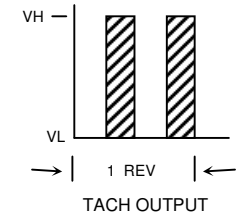
NOT RELEASED FOR PRODUCTION

WIRE DESIGNATION	
Black	GND (-)
Red	PWR (+)
White	SIGNAL (TACH)
Yellow	PWM



Twist wires 1 turn min. per 10 mm

Frame Type (Open Flange)

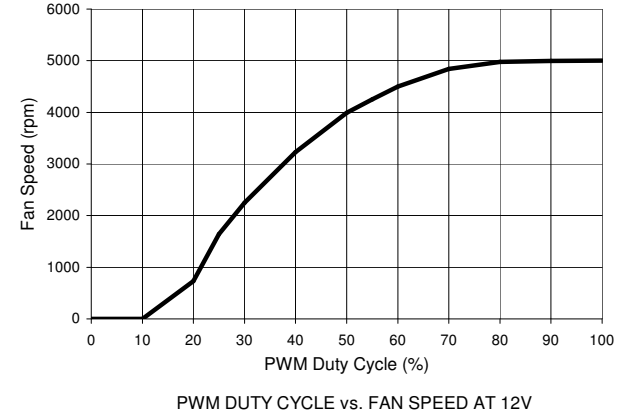
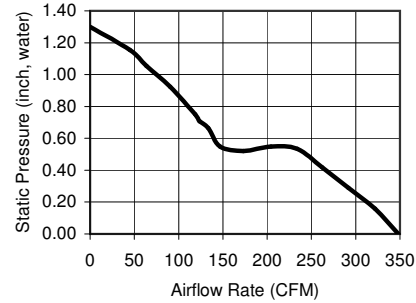


Revision History				
EC No	REV	Date	Description	Approvals
NA	X00	7/12/10	Created Dwg.	JE
NA	X01	12/8/11	Added UL, TUV	JE
NA	X02	10/29/14	Updt. Airflow, Current, dBA	JE

- NOTES
- THIS FAN AND ALL OF ITS COMPONENTS COMPLY WITH THE REQUIREMENTS OF RoHS DIRECTIVE 2011/65/EU
 - BASE MODEL FAN - ANY CHANGES TO SPECIFICATION REQUIRES NEW PART NUMBER.
 - RPM TOLERANCE IS +/-30% AT DUTY CYCLES BELOW 30%. AT DUTY CYCLES BETWEEN 30% AND 100%, RPM TOLERANCE CONVERGES LINEARLY TO 10%.

All Dimensions in mm	
A	172 +/-1.0
B	162.0 +/-0.5
C	51.5 +/-1.0
D	3.0 +/- 0.3
E	151 +/- 1.0
F	8x4.5 Dia +/- 0.3
G	300 +/- 30
H	6.4 +/- 1.0
I	M3.5
J	M4.0

	ITEM	SPECIFICATION	UNITS / NOTES
MECHANICAL	Speed	5000 +/-10%	RPM at 12Vdc
	Airflow	348.18	CFM in Free Air
	Static Pressure	1.30	Inch, H ₂ O
	Bearing Type	Dual Ball	N/A
	Operating Temp	(-)10 to 70	Deg C
PHYSICAL	Storage Temp	(-) 40 to 70	Deg C
	Noise Level	65.6	dBA Max at 1M
	Blade Material	Thermal Plastic	N/A
	Frame Material	Aluminum Alloy	N/A
	Wire Size	24	AWG
ELECTRICAL	Wire Type	UL 3266	N/A
	Wire Assembly	First Slot Only	N/A
	Regulatory Approvals	UL CUL TUV	N/A
	Net Weight	715.0	Grams
	Operating Voltage	10.8 - 13.2	Vdc
	Start up Duty Cycle	30	%
	Rated Current (at 12V)	2.50 (2.90 Max)	Amp
	Input Power (at 12V)	30.0 (34.8 Max)	Watts
	Tach Output	2	Pulses/Rev
	Polarity Protection	Yes	N/A
Motor Protection	Yes	Type 2	



2	1	Logo Label	L17200B0004	JMC
1	1	Fan Model	1751 - 12 387Y	JMC
Item	Qty	Description	Part Number	MFG
Austin Texas, USA Dong Guan, PRC		 The Fan Company	Fan, 172x151x51, 12Vdc, PWM, Dual Ball, Base Model	
Drawn By A. Aguirre			Size A1	Drawing Number 17200B0004
Engineer J. Elmo		Scale: None		Sheet 1 of 1

PROPRIETARY NOTE