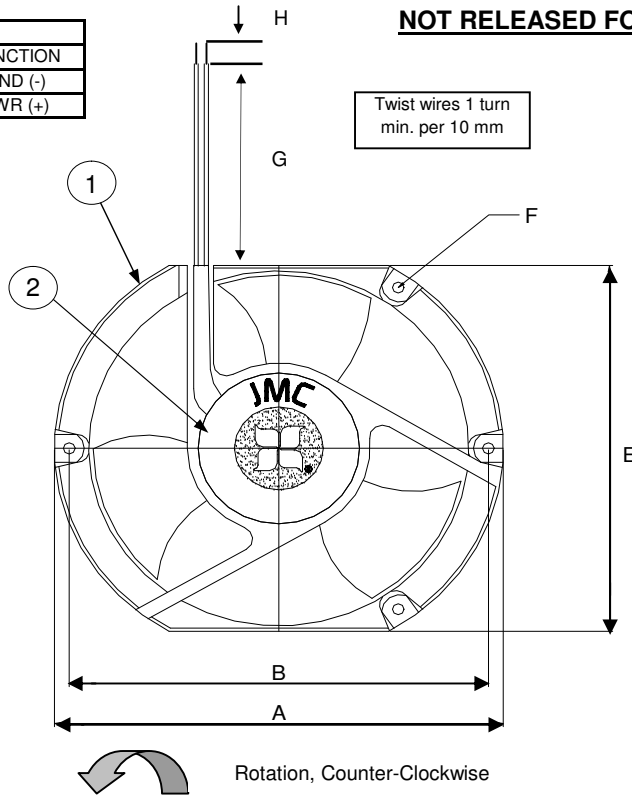
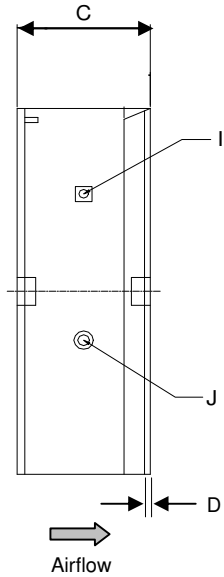


NOT RELEASED FOR PRODUCTION

WIRE DESIGNATION	
WIRE COLOR	FUNCTION
Black	GND (-)
Red	PWR (+)



Revision History				
EC No	REV	Date	Description	Approvals
NA	X02	8/1/13	Updt. Airflow	JE
NA	X03	8/1/13	Updt. Current	JE
NA	X04	10/29/14	Updt. Noise Level	JE

NOTES

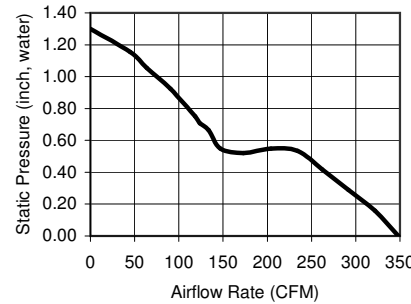
1. THIS FAN AND ALL OF ITS COMPONENTS COMPLY WITH THE REQUIREMENTS OF RoHS DIRECTIVE 2011/65/EU
2. BASE MODEL FAN - ANY CHANGES TO SPECIFICATION REQUIRES NEW PART NUMBER AND DRAWING.

All Dimensions in mm	
A	172 +/-1.0
B	162.0 +/-0.5
C	51.5 +/-1.0
D	3.0 +/- 0.3
E	151 +/- 1.0
F	8x4.5 Dia +/- 0.3
G	300 +/- 30
H	6.4 +/- 1.0
I	M3.5
J	M4.0



Frame Type (Open Flange)

	ITEM	SPECIFICATION	UNITS / NOTES
MECHANICAL	Speed	5000 +/-10%	RPM at 12Vdc
	Airflow	348.18	CFM in Free Air
	Static Pressure	1.30	Inch, H ₂ O
	Bearing Type	Dual Ball	N/A
	Operating Temp	(-)10 to 70	Deg C
	Storage Temp	(-) 40 to 70	Deg C
PHYSICAL	Noise Level	65.6	dBA Max at 1M
	Blade Material	Thermal Plastic	N/A
	Frame Material	Aluminum Alloy	N/A
	Wire Size	24	AWG
	Wire Type	UL 3266	N/A
	Wire Assembly	First Slot Only	N/A
ELECTRICAL	Regulatory Approvals	UL CUL TUV	N/A
	Net Weight	715.0	Grams
	Operating Voltage	10.8 - 13.2	Vdc
	Start up Voltage	10.8	Vdc
	Rated Current (at 12V)	2.50 (2.90 Max)	Amp
	Input Power (at 12V)	30.0 (34.8 Max)	Watts
	Tach Output	NA	Pulses/Rev
	Polarity Protection	Yes	N/A
Motor Protection	Yes	Type 2	



PQ CURVE

2	1	Logo Label	L17200B0003	JMC
1	1	Fan Model	1751 - 12 387Y	JMC
Item	Qty	Description	Part Number	MFG
Austin Texas, USA Dong Guan, PRC		Fan, 172x151x51, 12Vdc, Dual Ball, Base Model		
Drawn By A. Aguirre		Size A1	Drawing Number 17200B0003	Rev X04
Engineer J. Elmo		Scale: None		Sheet 1 of 1

PROPRIETARY NOTE

This document is the property of JMC products and contains sensitive and confidential information. Neither this document nor any information it contains may be reproduced or distributed, without written permission by JMC products.