

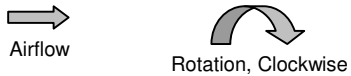
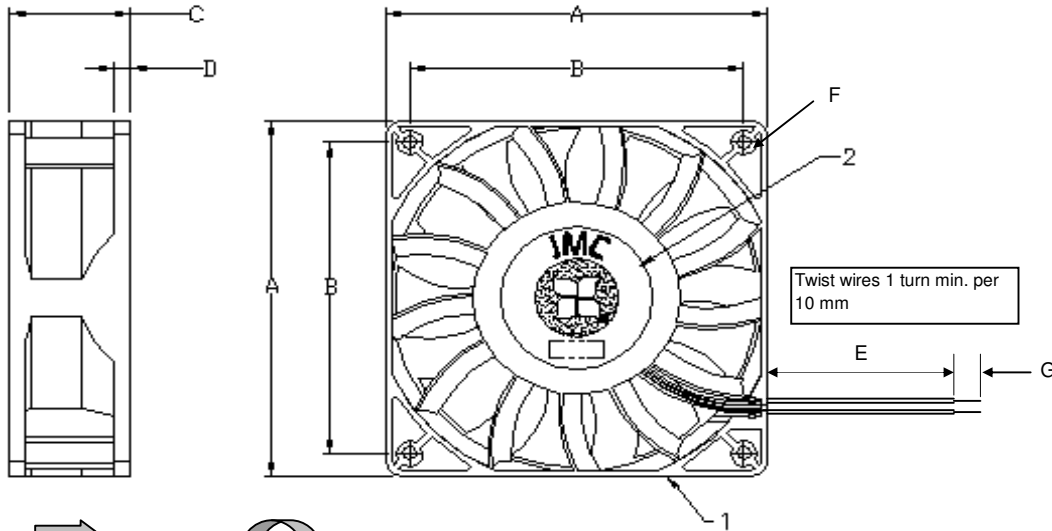
Revision History

EC No	REV	Date	Description	Approvals
NA	X00	6/7/08	Created Dwg.	SA
NA	X01	10/23/14	Updt. dBA, Rated Current	JE

NOT RELEASED FOR PRODUCTION

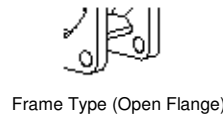
NOTES

1. THIS FAN AND ALL OF ITS COMPONENTS COMPLY WITH THE REQUIREMENTS OF RoHS DIRECTIVE 2011/65/EU
2. BASE MODEL FAN - ANY CHANGES TO SPECIFICATION REQUIRES NEW PART NUMBER AND DRAWING.



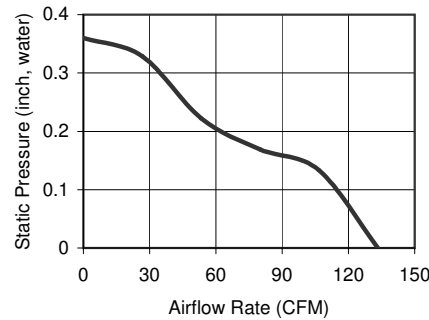
WIRE DESIGNATION	
WIRE COLOR	FUNCTION
Black	GND (-)
Red	PWR (+)

All Dimensions in mm	
A	120 +/-0.5
B	105 +/-0.4
C	38.0 +0.2 / -1.0
D	5.0 +/- 0.3
E	300 +/- 30
F	8 X 4.5 +/- 0.3
G	6.4 +/- 1.0



Frame Type (Open Flange)

	ITEM	SPECIFICATION	UNITS / NOTES
MECHANICAL	Speed	3000 +/- 10%	RPM at 12 Vdc
	Airflow	133.3	CFM in Free Air
	Static Pressure	0.36	Inch, H ₂ O
	Bearing Type	Ball, Dual	N/A
	Operating Temp	(-)10 to 70	Deg C
	Storage Temp	(-) 40 to 70	Deg C
	Noise Level	54.2	dBA Max at 1M
PHYSICAL	Blade Material	UL 94V-0	N/A
	Frame Material	UL 94V-0	N/A
	Wire Size	22	AWG
	Wire Type	UL 1007	N/A
	Wire Assembly	First Slot	N/A
	Regulatory Approvals	UL CUL TUV	N/A
ELECTRICAL	Net Weight	TBD	Grams
	Operating Voltage	10.8 - 13.2	Vdc
	Start up Voltage	10.8	Vdc
	Start up PWM duty cycle	NA	%
	Rated Current	1.46 (1.67 Max)	Amp
	Input Power	17.52 (20.04 Max)	Watts
	Tach Output	NA	Pulses/Rev
	Polarity Protection	Yes	N/A
	Motor Protection	Yes	Type 2



2	1	Logo Label	L12003B0001	JMC
1	1	Fan Model	1238 - 12	JMC
Item	Qty	Description	Part Number	MFG

Austin Texas, USA Dong Guan, PRC		Fan, 120 x 38 FV, 12Vdc, Dual Ball, Base Model		
Drawn By S. Apsangi		Size A1	Drawing Number 12003B0001	Rev X01
Engineer J. Elmo	Scale: None		Sheet 1 of 1	

PROPRIETARY NOTE

This document is the property of JMC products and contains sensitive and confidential information. Neither this document nor any information it contains may be reproduced or distributed, without written permission by JMC products.