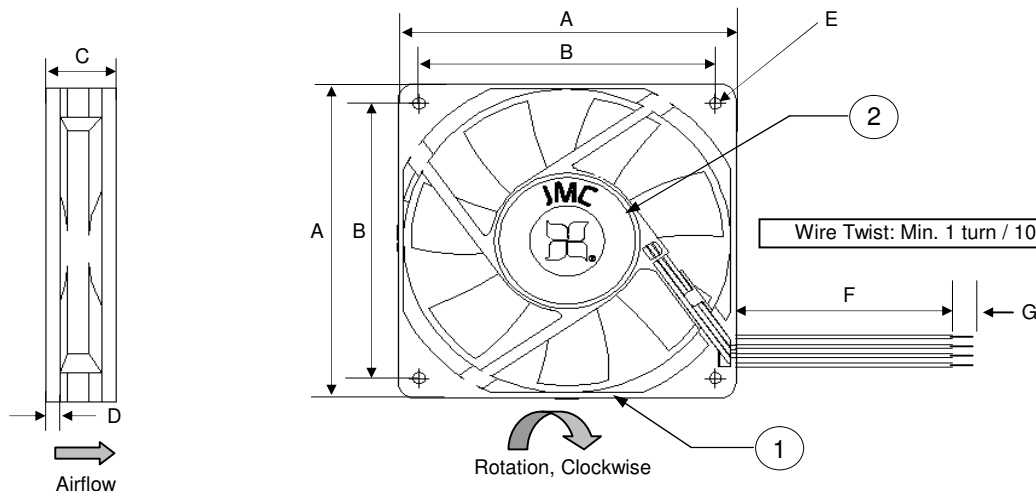
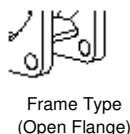


NOT RELEASED FOR PRODUCTION

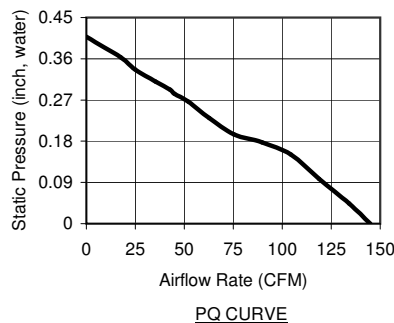
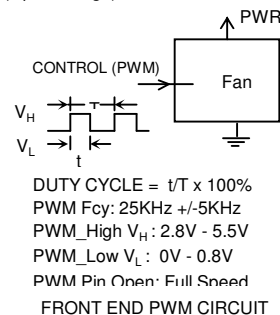


WIRE DESIGNATION	
FUNCTION	WIRE COLOR
GND (-)	Black
PWR (+)	Yellow
Signal (Tach)	Green
PWM	Blue

All Dimensions in mm	
A	120.0 +/- 0.5
B	105.0 +/- 0.3
C	25.0 +/- 0.5
D	5.0 +/- 0.3
E	8 X 4.4 Dia +/- 0.3
F	300 +/- 30
G	6.4 +/- 1.0



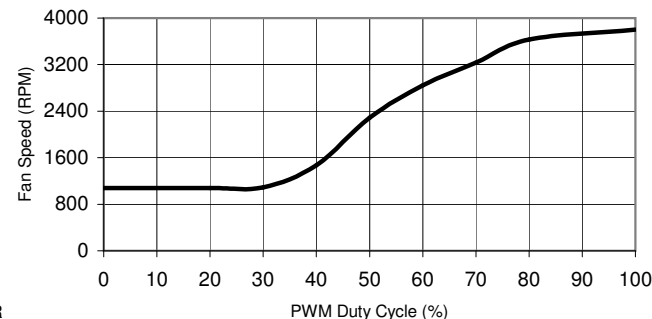
Frame Type (Open Flange)



Revision History				
EC No	REV	Date	Description	Approvals
NA	X00	5/15/08	Created Drawing	SA
NA	X01	1/20/11	Updated PWM curve	JE
NA	X02	9/5/14	Updated RPM	JE

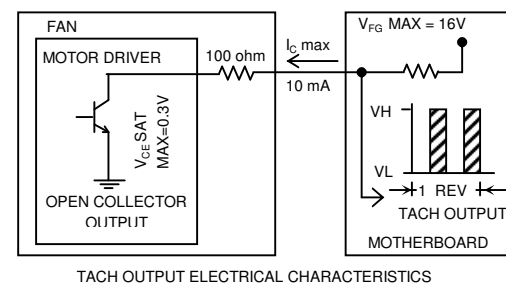
NOTES

- THIS FAN AND ALL OF ITS COMPONENTS COMPLY WITH THE REQUIREMENTS OF RoHS DIRECTIVE 2011/65/EU
- BASE MODEL FAN - ANY CHANGES TO SPECIFICATION REQUIRES NEW PART NUMBER AND DRAWING.
- RPM TOLERANCE IS +/- 30% AT DUTY CYCLES BELOW 30%. AT DUTY CYCLES BETWEEN 30% AND 100%, RPM TOLERANCE CONVERGES LINEARLY TO 10%.



PWM DUTY CYCLE vs. FAN SPEED

	ITEM	SPECIFICATION	UNITS / NOTES
MECHANICAL	Speed	3800 +/- 10%	RPM at 12 Vdc
	Airflow	144.91	CFM in Free Air
	Static Pressure	0.41	Inch, H ₂ O
	Bearing Type	Dual Ball	N/A
	Operating Temp	(-)10 to 60	Deg C
	Storage Temp	(-) 40 to 70	Deg C
PHYSICAL	Noise Level	55.5	dBa Max at 1M
	Blade Material	UL 94V-0	N/A
	Frame Material	UL 94V-0	N/A
	Wire Size	26	AWG
	Wire Type	UL 1007	N/A
	Wire Assembly	First Slot Only	N/A
ELECTRICAL	Regulatory Approvals	UL CUL TUV	N/A
	Net Weight	TBD	Grams
	Operating Voltage	10.8 - 13.2	Vdc
	Start up Voltage	NA	Vdc
	Start up PWM duty cycle	30.0	%
	Rated Current	1.60 (1.84 Max)	Amp
	Input Power	19.2 (22.08 Max)	Watts
	Tach Output	2	Pulses/Rev
	Polarity Protection	Yes	N/A
	Motor Protection	Yes	Type 2



TACH OUTPUT ELECTRICAL CHARACTERISTICS

2	1	Logo Label	L12000B0004	JMC
1	1	Fan Model	1225 - 12	JMC
Item	Qty	Description	Part Number	MFG
Austin Texas, USA Dong Guan, PRC		Fan, 120x25 mm, 12Vdc PWM, Dual Ball, Base Model		
Drawn By A. Aguirre		Size A1	Drawing Number 12000B0004	Rev X02
Engineer J. Elmo		Scale: None		Sheet 1 of 1

PROPRIETARY NOTE

This document is the property of JMC products and contains sensitive and confidential information. Neither this document nor any information it contains may be reproduced or distributed, without written permission by JMC products.