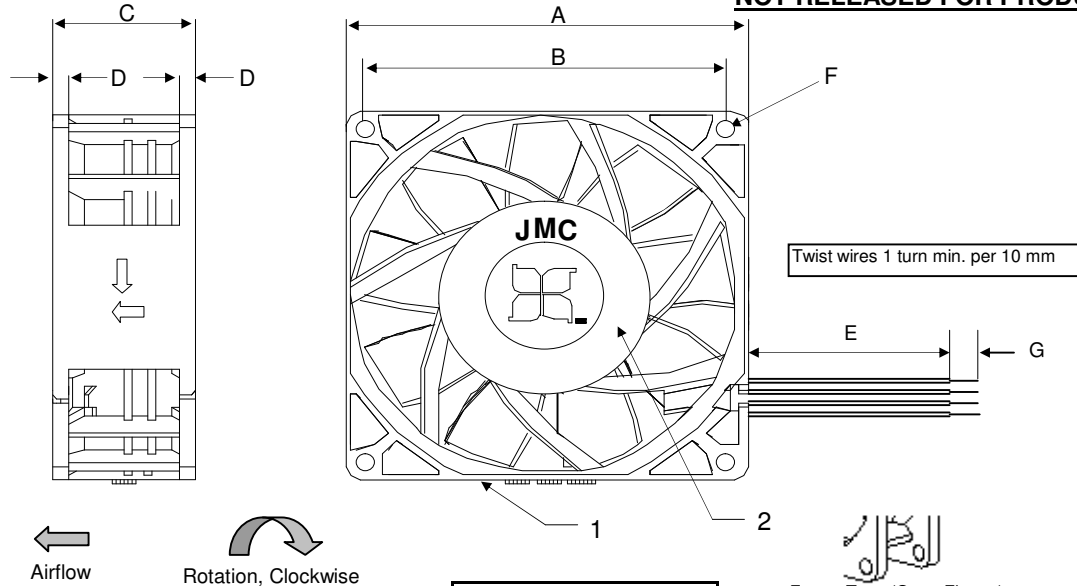


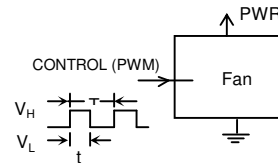
NOT RELEASED FOR PRODUCTION



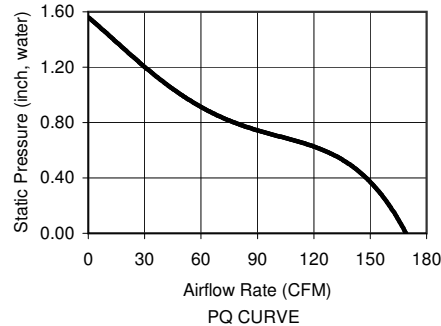
CONNECTOR PINOUT	
FUNCTION	WIRE COLOR
GND (-)	Black
PWR (+)	Yellow
Signal (Tach)	Green
PWM	Blue

All Dimensions in mm	
A	92 +/-0.5
B	82.5 +/-0.3
C	38.0 +/- 0.5
D	4.0 +/- 0.3
E	300 +/- 30
F	8 X 4.4 +/- 0.3
G	6.4 +/- 1.0

Frame Type (Open Flange)



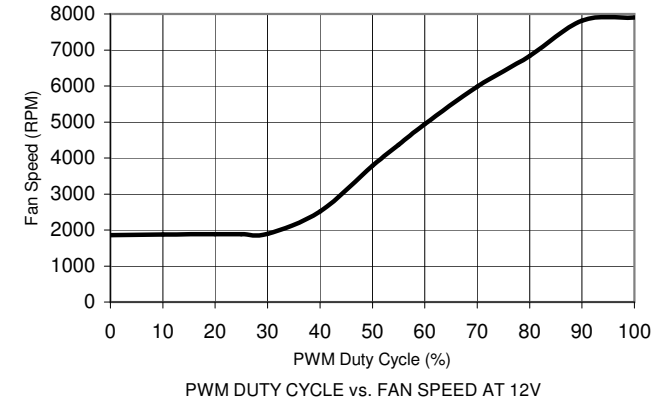
DUTY CYCLE = $t/T \times 100\%$
 PWM Fcy: 25KHz +/-5KHz
 PWM_High V_H : 2.8V - 5.5V
 PWM_Low V_L : 0V - 0.8V
 PWM Pin Open: Full Speed
 FRONT END PWM CIRCUIT



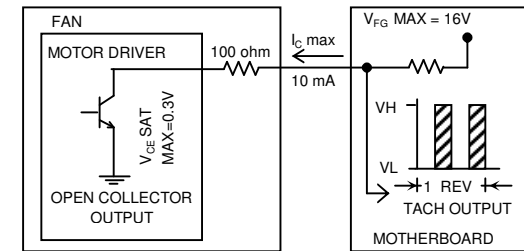
Revision History				
EC No	REV	Date	Description	Approvals
NA	X00	9/29/11	Created Dwg.	JE
NA	X01	12/14/11	Updt. Current	JE
NA	X02	8/19/14	Updt. RPM	JE

NOTES

- THIS FAN AND ALL OF ITS COMPONENTS COMPLY WITH THE REQUIREMENTS OF RoHS DIRECTIVE 2011/65/EU
- RPM TOLERANCE IS +/-30% AT DUTY CYCLES BELOW 30%. AT DUTY CYCLES BETWEEN 30% AND 100%, RPM TOLERANCE CONVERGES LINEARLY TO 10%.
- BASE MODEL FAN - ANY CHANGES TO SPECIFICATION REQUIRES NEW PART NUMBER AND DRAWING.
- THIS FAN USES MICROCONTROLLER DESIGN.



	ITEM	SPECIFICATION	UNITS / NOTES
MECHANICAL	Speed	7900 +/- 10%	RPM at 12 Vdc
	Airflow	169.35	CFM in Free Air
	Static Pressure	1.56	Inch, H ₂ O
	Bearing Type	Dual Ball	N/A
	Operating Temp	(-) 10 to 70	Deg C
PHYSICAL	Storage Temp	(-) 40 to 70	Deg C
	Noise Level	66.0	dBA Max at 1M
	Blade Material	UL 94V-0	N/A
	Frame Material	UL 94V-0	N/A
	Wire Size	26	AWG
ELECTRICAL	Wire Type	UL 1007	N/A
	Wire Assembly	First Slot	N/A
	Regulatory Approvals	UL CUL TUV	N/A
	Net Weight	TBD	Grams
	Operating Voltage	10.8 - 13.2	Vdc
	Start up PWM duty cycle	30	%
	Rated Current	2.30 (2.64 Max.)	Amp
	Input Power	27.6 (31.68 Max.)	Watts
	Tach Output	2	Pulses/Rev
	Polarity Protection	Yes	N/A
	Motor Protection	Yes	Type 2



2	1	Logo Label	L09203B0004	JMC
1	1	Fan Model	9238 - 12	JMC
Item	Qty	Description	Part Number	MFG
Austin Texas, USA Dong Guan, PRC		Fan, 92x38 FV, 12Vdc, Uctrl., PWM, DBB, Base Model		
Drawn By A. Aguirre		Size A1	Drawing Number 09203B0004	Rev X02
Electrical Engineer J. Elmo		Scale: None		Sheet 1 of 1

PROPRIETARY NOTE