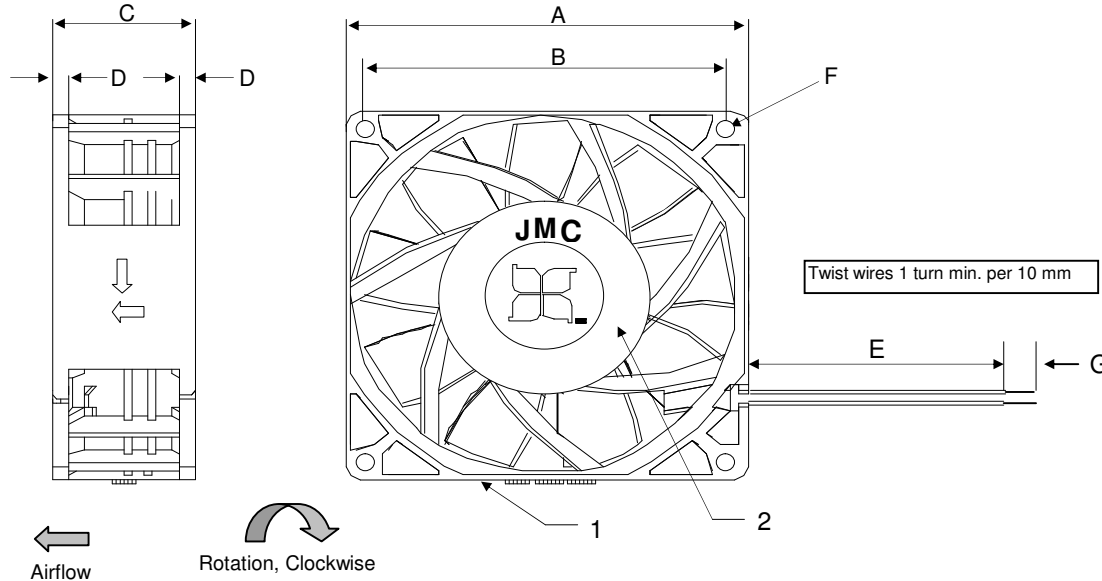


Revision History				
EC No	REV	Date	Description	Approvals
NA	X00	9/28/11	Created Dwg.	JE
NA	X01	8/19/14	Updt. RPM	JE

NOT RELEASED FOR PRODUCTION

NOTES

1. THIS FAN AND ALL OF ITS COMPONENTS COMPLY WITH THE REQUIREMENTS OF RoHS DIRECTIVE 2011/65/EU
2. BASE MODEL FAN - ANY CHANGES TO SPECIFICATION REQUIRES NEW PART NUMBER AND DRAWING.



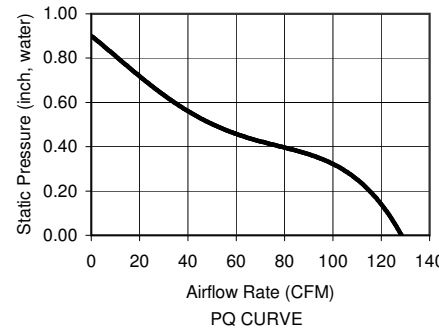
CONNECTOR PINOUT	
FUNCTION	WIRE COLOR
GND (-)	Black
PWR (+)	Red

All Dimensions in mm	
A	92 +/-0.5
B	82.5 +/-0.3
C	38.0 +/- 0.5
D	4.0 +/- 0.3
E	300 +/- 30
F	8 X 4.4 +/- 0.3
G	6.4 +/- 1.0



Frame Type (Open Flange)

	ITEM	SPECIFICATION	UNITS / NOTES
MECHANICAL	Speed	6000 +/- 10%	RPM at 12 Vdc
	Airflow	128.62	CFM in Free Air
	Static Pressure	0.90	Inch, H ₂ O
	Bearing Type	Dual Ball	N/A
	Operating Temp	(-) 10 to 70	Deg C
	Storage Temp	(-) 40 to 70	Deg C
PHYSICAL	Noise Level	60.0	dBA Max at 1M
	Blade Material	UL 94V-0	N/A
	Frame Material	UL 94V-0	N/A
	Wire Size	26	AWG
	Wire Type	UL 1007	N/A
	Wire Assembly	First Slot	N/A
ELECTRICAL	Regulatory Approvals	UL CUL TUV	N/A
	Net Weight	TBD	Grams
	Operating Voltage	10.8 - 13.2	Vdc
	Start up Voltage	10.8	Vdc
	Rated Current	1.74 (2.00 Max.)	Amp
	Input Power	20.88 (24.0 Max.)	Watts
	Tach Output	N/A	Pulses/Rev
	Polarity Protection	Yes	N/A
Motor Protection	Yes	Type 2	



2	1	Logo Label	L09203B0002	JMC
1	1	Fan Model	9238 - 12	JMC
Item	Qty	Description	Part Number	MFG
Austin Texas, USA Dong Guan, PRC			Fan, 92x38 FV, 12Vdc Dual Ball, Base Model	
Drawn By A. Aguirre			Size A1	Drawing Number 09203B0002
Electrical Engineer J. Elmo		Scale: None		Sheet 1 of 1

PROPRIETARY NOTE

This document is the property of JMC products and contains sensitive and confidential information. Neither this document nor any information it contains may be reproduced or distributed, without written permission by JMC products.