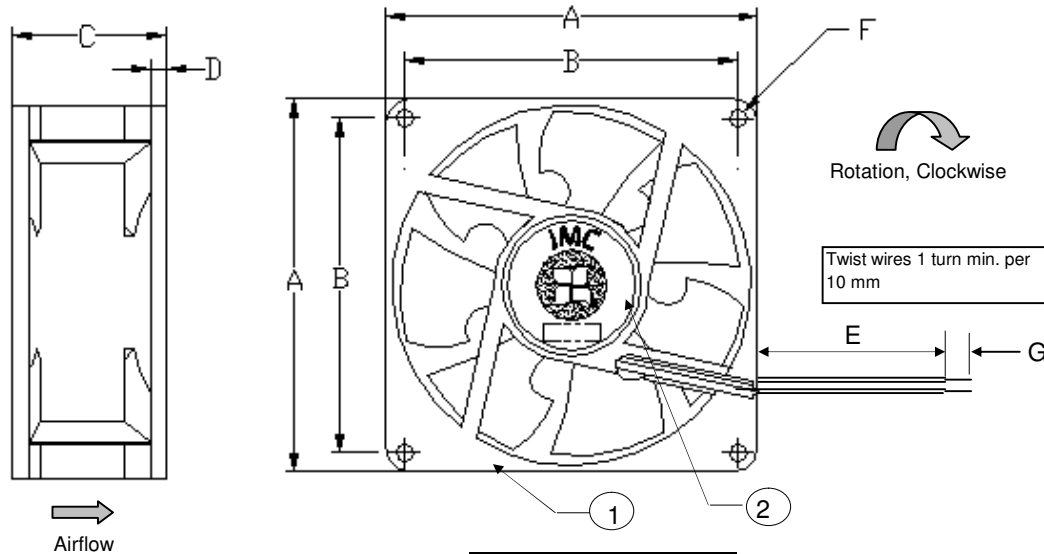


NOT RELEASED FOR PRODUCTION



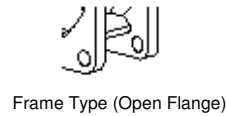
| Revision History | | | | |
|------------------|-----|---------|--------------|-----------|
| EC No | REV | Date | Description | Approvals |
| NA | X00 | 6/6/08 | Created Drg. | SA |
| NA | X01 | 8/18/14 | Updated RPM | JE |

NOTES

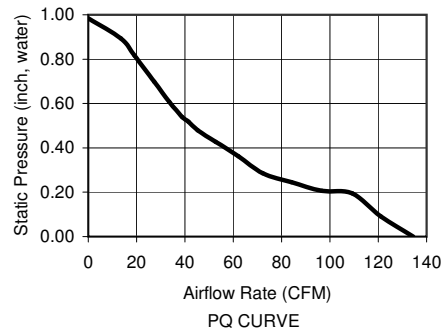
1. THIS FAN AND ALL OF ITS COMPONENTS COMPLY WITH THE REQUIREMENTS OF RoHS DIRECTIVE 2011/65/EU
2. BASE MODEL FAN - ANY CHANGES TO SPECIFICATION REQUIRES NEW PART NUMBER AND DRAWING.

| WIRE DESIGNATION | |
|------------------|----------|
| WIRE COLOR | FUNCTION |
| Black | GND (-) |
| Red | PWR (+) |

| All Dimensions in mm | |
|----------------------|-----------------|
| A | 92 +/-0.5 |
| B | 82.5 +/-0.3 |
| C | 38.0 +/- 0.5 |
| D | 4.0 +/- 0.3 |
| E | 300 +/- 30 |
| F | 8 X 4.4 +/- 0.3 |
| G | 6.4 +/- 1.0 |



| | ITEM | SPECIFICATION | UNITS / NOTES |
|------------------|----------------------|-------------------|------------------------|
| MECHANICAL | Speed | 6400 +/- 10% | RPM at 12 Vdc |
| | Airflow | 134.5 | CFM in Free Air |
| | Static Pressure | 0.98 | Inch, H ₂ O |
| | Bearing Type | Dual Ball | N/A |
| | Operating Temp | (-) 10 to 70 | Deg C |
| | Storage Temp | (-) 40 to 70 | Deg C |
| PHYSICAL | Noise Level | 57.9 | dBA Max at 1M |
| | Blade Material | UL 94V-0 | N/A |
| | Frame Material | UL 94V-0 | N/A |
| | Wire Size | 26 | AWG |
| | Wire Type | UL 1007 | N/A |
| | Wire Assembly | First Slot | N/A |
| ELECTRICAL | Regulatory Approvals | UL CUL TUV | N/A |
| | Net Weight | TBD | Grams |
| | Operating Voltage | 10.8 - 13.2 | Vdc |
| | Start up Voltage | 10.8 | Vdc |
| | Rated Current | 1.36 (1.56 Max) | Amp |
| | Input Power | 16.32 (18.72 Max) | Watts |
| | Tach Output | NA | Pulses/Rev |
| | Polarity Protection | Yes | N/A |
| Motor Protection | Yes | Type 2 | |



| | | | | |
|-------------------------------------|-----|-------------|--|------------------------------|
| 2 | 1 | Logo Label | L09202B0003 | JMC |
| 1 | 1 | Fan Model | 9238 - 12 | JMC |
| Item | Qty | Description | Part Number | MFG |
| Austin Texas, USA Dong Guan, PRC | | | Fan, 92x38mm, 12Vdc Dual Ball, Base Model | |
| Drawn By S. Apsangi | | | Size A1 | Drawing Number 09202B0003 |
| Engineer J. Elmo | | Scale: None | | Sheet 1 of 1 |

PROPRIETARY NOTE

This document is the property of JMC products and contains sensitive and confidential information. Neither this document nor any information it contains may be reproduced or distributed, without written permission by JMC products.