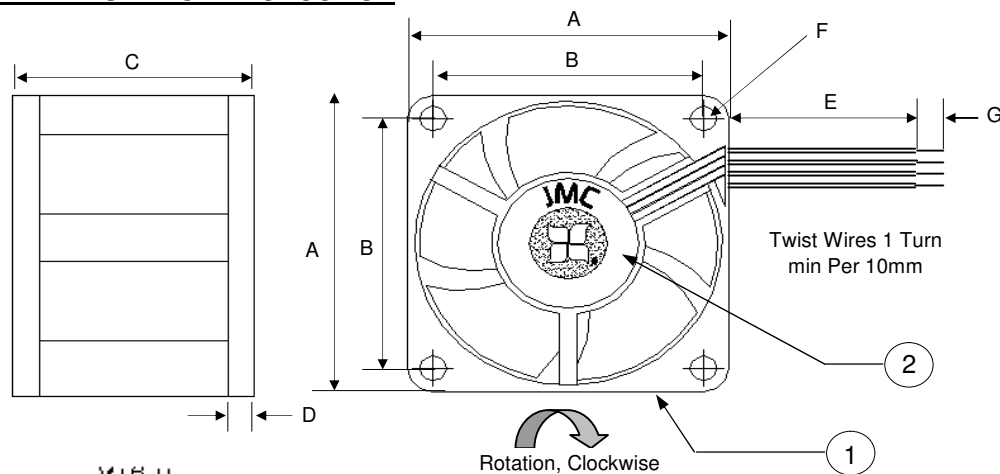


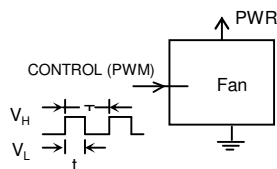
NOT RELEASED FOR PRODUCTION



Frame Type (Closed Barrel)

WIRE DESIGNATION	
WIRE COLOR	FUNCTION
Black	GND (-)
Yellow	PWR (+)
Green	TACH
Blue	PWM

All Dimensions in mm	
A	40 +/- 0.5
B	32.5 +/- 0.3
C	28 +/- 0.5
D	4 +/- 0.3
E	300 +/- 30
F	4 X 3.5 Dia +/- 0.3
G	6.4 +/- 1.0

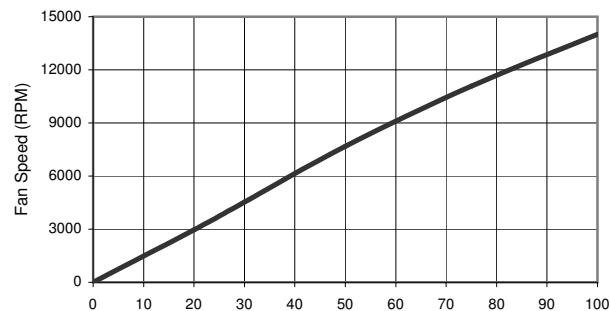


DUTY CYCLE = $t/T \times 100\%$
 PWM Fcy: 25KHz +/- 5KHz
 PWM_High V_H : 2.8V - 5.5V
 PWM_Low V_L : 0V - 0.8V
 FRONT END PWM CIRCUIT

Revision History				
EC No	REV	Date	Description	Approvals
NA	X00	6/7/2008	Created Dwg.	SA
NA	X01	12/24/2008	UPDT PWM	JE
NA	X02	11/1/2013	Updt. Speed/ Note 1	JE

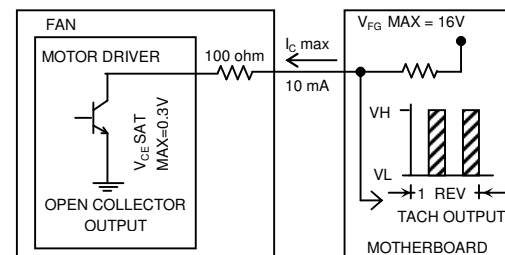
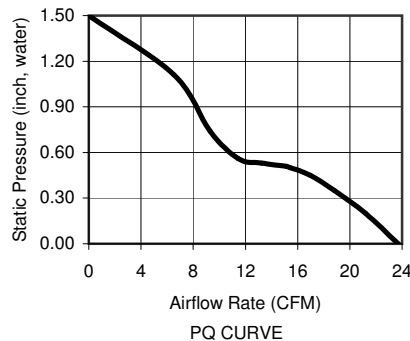
NOTES

1. THIS FAN AND ALL OF ITS COMPONENTS COMPLY WITH THE REQUIREMENTS OF RoHS DIRECTIVE 2011/65/EU
2. BASE MODEL FAN - ANY CHANGES TO SPECIFICATION REQUIRES NEW PART NUMBER.
3. RPM TOLERANCE IS +/-30% AT DUTY CYCLES BELOW 30%. AT DUTY CYCLES BETWEEN 30% AND 100%, RPM TOLERANCE CONVERGES LINEARLY TO 10%.



PWM DUTY CYCLE vs. FAN SPEED AT 12V

	ITEM	SPECIFICATION	UNITS / NOTES
MECHANICAL	Speed	20000 +/- 10%	RPM at 12 Vdc
	Airflow	23.71	CFM in Free Air
	Static Pressure	1.50	Inch, H ₂ O
	Bearing Type	Ball, Dual	N/A
	Operating Temp	(-)10 to 70	Deg C
	Storage Temp	(-) 40 to 70	Deg C
	Noise Level	55.7	dBA Max at 1M
PHYSICAL	Blade Material	UL 94V-0	N/A
	Frame Material	UL 94V-0	N/A
	Wire Size	24	AWG
	Wire Type	UL1061	N/A
	Wire Assembly	First Slot	N/A
ELECTRICAL	Regulatory Approvals	UL CUL TUV	N/A
	Net Weight	46.0	Grams
	Operating Voltage	10.8 - 13.2	Vdc
	Start up Duty Cycle	30	%
	Rated Current	0.94 (1.08 Max)	Amp
	Input Power	11.28 (12.96 Max)	Watts
	Tach Output	2	Pulses/Rev
	Polarity Protection	Yes	N/A
	Motor Protection	Yes	Type 2



TACH OUTPUT ELECTRICAL CHARACTERISTICS

2	1	Logo Label	L04003B0004	JMC
1	1	Fan Model	4028 - 12	JMC
Item	Qty	Description	Part Number	MFG
Austin Texas, USA Dong Guan, PRC		Fan, 40 x 28mm, 12Vdc PWM, DBB, Base Model		
Drawn By S. Apsangi		Size A1	Drawing Number 04003B0004	Rev X02
Engineer J. Elmo		Scale: None		Sheet 1 of 1

PROPRIETARY NOTE

This document is the property of JMC products and contains sensitive and confidential information. Neither this document nor any information it contains may be reproduced or distributed, without written permission by JMC products.