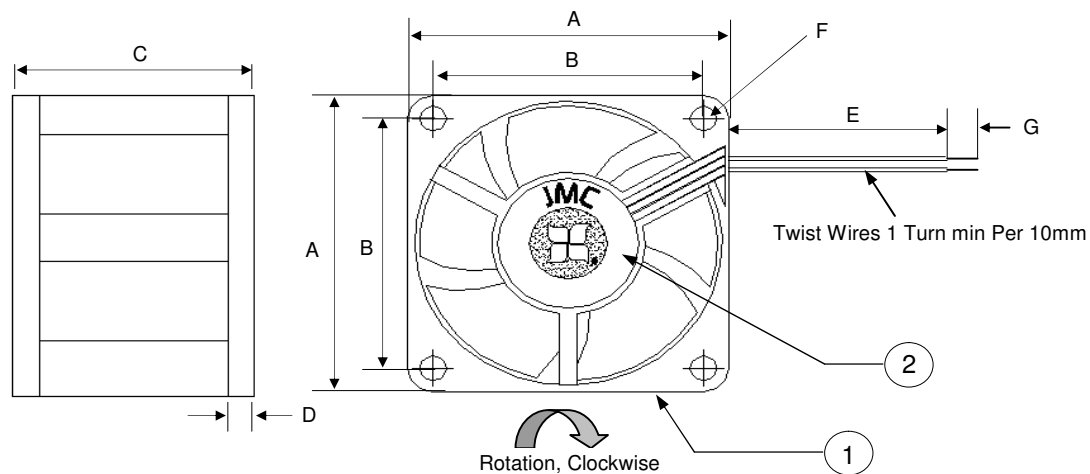


NOT RELEASED FOR PRODUCTION



Revision History				
EC No	REV	Date	Description	Approvals
NA	X00	6/7/2008	Created Dwg.	SA
NA	X01	10/31/2013	Updt. Speed/Note 1	JE

- NOTES**
1. THIS FAN AND ALL OF ITS COMPONENTS COMPLY WITH THE REQUIREMENTS OF RoHS DIRECTIVE 2011/65/EU
 2. BASE MODEL FAN - ANY CHANGES TO SPECIFICATION REQUIRES NEW PART NUMBER.

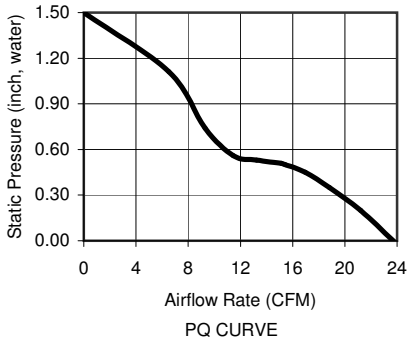
All Dimensions in mm	
A	40 +/- 0.5
B	32.5 +/-0.3
C	28 +/-0.5
D	4 +/-0.3
E	300 +/- 30
F	4 X 3.5 Dia +/- 0.3
G	6.4 +/- 1.0



Frame Type (Closed Barrel)

WIRE DESIGNATION	
WIRE COLOR	FUNCTION
Black	GND (-)
Red	PWR (+)

	ITEM	SPECIFICATION	UNITS / NOTES
MECHANICAL	Speed	20000 +/- 10%	RPM at 12 Vdc
	Airflow	23.71	CFM in Free Air
	Static Pressure	1.50	Inch, H ₂ O
	Bearing Type	Ball, Dual	N/A
	Operating Temp	(-)10 to 70	Deg C
	Storage Temp	(-) 40 to 70	Deg C
	Noise Level	55.7	dBA Max at 1M
PHYSICAL	Blade Material	UL 94V-0	N/A
	Frame Material	UL 94V-0	N/A
	Wire Size	24	AWG
	Wire Type	UL1061	N/A
	Wire Assembly	First Slot	N/A
ELECTRICAL	Regulatory Approvals	UL CUL TUV	N/A
	Net Weight	46.0	Grams
	Operating Voltage	10.8 - 13.2	Vdc
	Start up Voltage	10.8	Vdc
	Rated Current	0.94 (1.08 Max)	Amp
	Input Power	11.28 (12.96 Max)	Watts
	Tach Output	NA	Pulses/Rev
	Polarity Protection	Yes	N/A
	Motor Protection	Yes	Type 2



2	1	Logo Label	L04003B0003	JMC
1	1	Fan Model	4028 - 12	JMC
Item	Qty	Description	Part Number	MFG
Austin Texas, USA		 The Fan Company	Fan, 40 x 28mm,	
Dong Guan, PRC			12Vdc, Dual Ball, Base Model	
Drawn By		Size	Drawing Number	Rev
S. Apsangi		A1	04003B0003	X01
Engineer		Scale: None		Sheet 1 of 1
J. Elmo				

PROPRIETARY NOTE