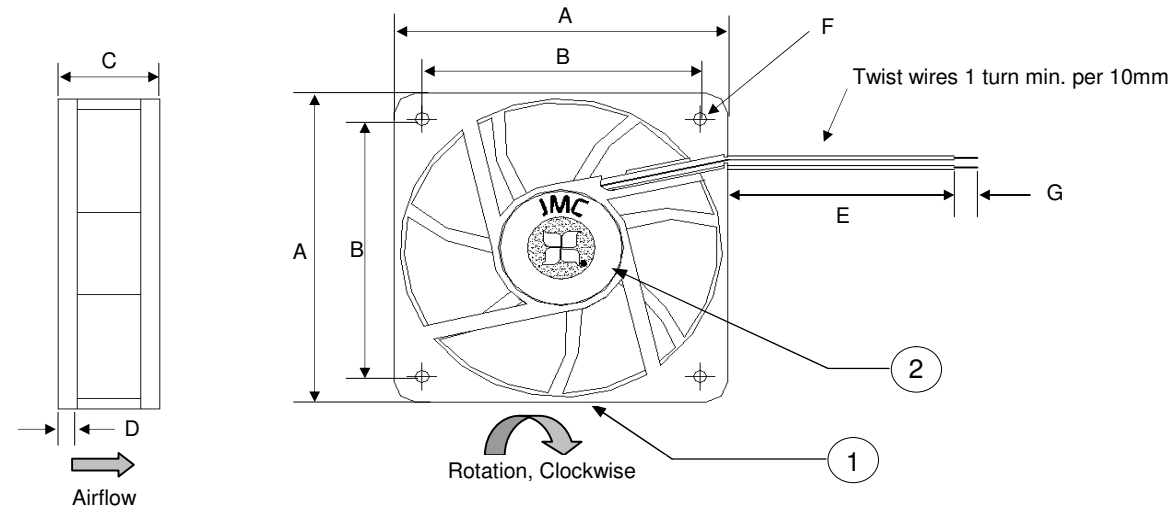


NOT RELEASED FOR PRODUCTION



| Revision History | | | | |
|------------------|-----|----------|--------------|-----------|
| EC No | REV | Date | Description | Approvals |
| NA | X00 | 4/20/08 | Created Dwg. | SA |
| NA | X01 | 12/18/13 | Updt. Speed | JE |

NOTES

1. THIS FAN AND ALL OF ITS COMPONENTS COMPLY WITH THE REQUIREMENTS OF RoHS DIRECTIVE 2011/65/EU
2. BASE MODEL FAN - ANY CHANGES TO SPECIFICATION REQUIRES NEW PART NUMBER.

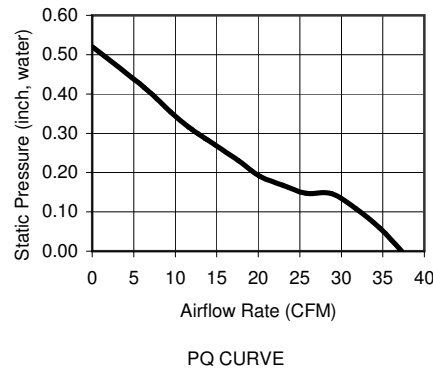
| WIRE DESIGNATION | |
|------------------|----------|
| WIRE COLOR | FUNCTION |
| Black | GND (-) |
| Red | PWR (+) |

| All Dimensions in mm | |
|----------------------|---------------------|
| A | 60 +/- 0.5 |
| B | 50 +/- 0.3 |
| C | 25 +/- 0.5 |
| D | 3.5 +/- 0.3 |
| E | 300 +/- 30 |
| F | 8 X 4.3 Dia +/- 0.3 |
| G | 6.4 +/- 1.0 |



Frame Type (Open Flange)

| | ITEM | SPECIFICATION | UNITS / NOTES |
|---------------------|----------------------|-----------------|------------------------|
| MECHANICAL | Speed | 7500 +/- 10% | RPM at 12 Vdc |
| | Airflow | 37.28 | CFM in Free Air |
| | Static Pressure | 0.52 | Inch, H ₂ O |
| | Bearing Type | Dual Ball | N/A |
| | Operating Temp | (-)10 to 70 | Deg C |
| | Storage Temp | (-) 40 to 70 | Deg C |
| | Noise Level | 45.3 | dBA Max at 1M |
| PHYSICAL | Blade Material | UL 94V-0 | N/A |
| | Frame Material | UL 94V-0 | N/A |
| | Wire Size | 26 | AWG |
| | Wire Type | UL 1007 | N/A |
| | Wire Assembly | First Slot Only | N/A |
| ELECTRICAL | Regulatory Approvals | UL CUL TUV | N/A |
| | Net Weight | TBD | Grams |
| | Operating Voltage | 10.8 - 13.2 | Vdc |
| | Start up Voltage | 10.8 | Vdc |
| | Rated Current | 0.46 (0.52 Max) | Amp |
| | Input Power | 5.52 (6.24 Max) | Watts |
| | Tach Output | NA | Pulses/Rev |
| Polarity Protection | Yes | N/A | |
| Motor Protection | Yes | Type 2 | |



| 2 | 1 | Logo Label | L06003B0003 | JMC |
|-------------------|-----|-------------------------------|-----------------------|--------------|
| 1 | 1 | Fan Model | 6025 - 12 | JMC |
| Item | Qty | Description | Part Number | MFG |
| Austin Texas, USA | | JMC The Fan Company | FAN, 60x25 mm, 12Vdc | |
| Dong Guan, PRC | | | Dual Ball, Base Model | |
| Drawn By | | Size | Drawing Number | Rev |
| S. Apsangi | | A1 | 06003B0003 | X01 |
| Engineer | | Scale: None | | Sheet 1 of 1 |
| J. Elmo | | | | |

PROPRIETARY NOTE

This document is the property of JMC products and contains sensitive and confidential information. Neither this document nor any information it contains may be reproduced or distributed, without written permission by JMC products.