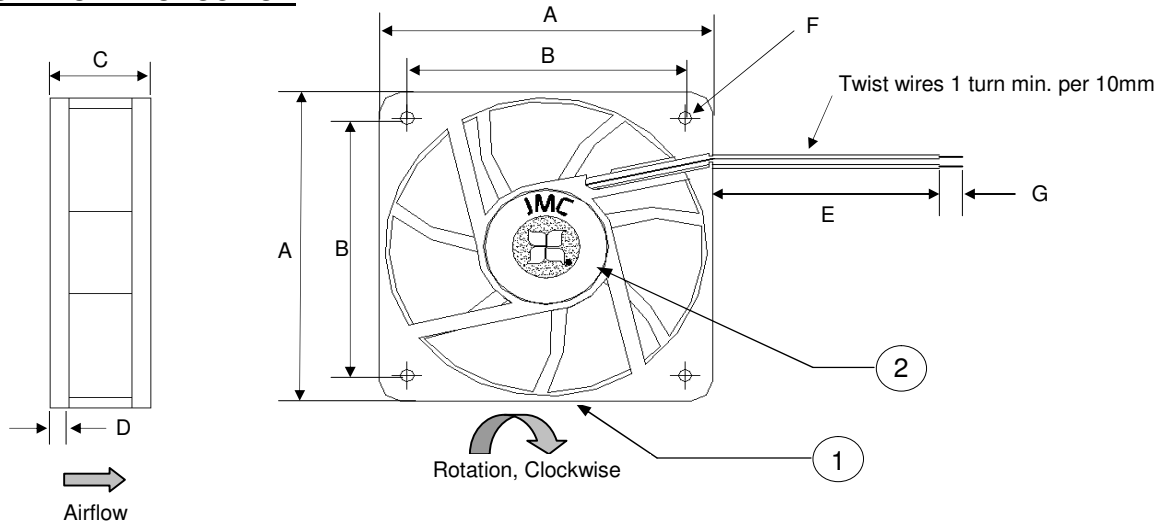


RELEASED FOR PRODUCTION



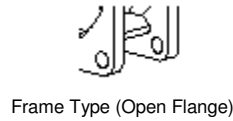
Revision History				
EC No	REV	Date	Description	Approvals
NA	X00	4/19/08	Created Dwg.	SA
110699	REL	3/18/09	Released Drg.	JE
110916	A	12/18/13	Updt. Note 1/Current	JE

NOTES

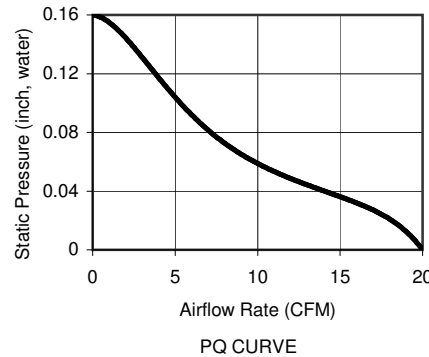
1. THIS FAN AND ALL OF ITS COMPONENTS COMPLY WITH THE REQUIREMENTS OF RoHS DIRECTIVE 2011/65/EU
2. BASE MODEL FAN - ANY CHANGES TO SPECIFICATION REQUIRES NEW PART NUMBER.

WIRE DESIGNATION	
WIRE COLOR	FUNCTION
Black	GND (-)
Red	PWR (+)

All Dimensions in mm	
A	60 +/- 0.5
B	50 +/-0.3
C	25 +/-0.5
D	3.5 +/-0.3
E	300 +/- 30
F	8 X 4.3 Dia +/- 0.3
G	6.4 +/- 1.0



	ITEM	SPECIFICATION	UNITS / NOTES
MECHANICAL	Speed	4000 +/- 10%	RPM at 12 Vdc
	Airflow	20.0	CFM in Free Air
	Static Pressure	0.16	Inch, H ₂ O
	Bearing Type	Dual Ball	N/A
	Operating Temp	(-)10 to 70	Deg C
	Storage Temp	(-) 40 to 70	Deg C
	Noise Level	31.0	dBA Max at 1M
PHYSICAL	Blade Material	UL 94V-0	N/A
	Frame Material	UL 94V-0	N/A
	Wire Size	26	AWG
	Wire Type	UL 1007	N/A
	Wire Assembly	First Slot Only	N/A
ELECTRICAL	Regulatory Approvals	UL CUL TUV	N/A
	Net Weight	TBD	Grams
	Operating Voltage	10.8 - 13.2	Vdc
	Start up Voltage	10.8	Vdc
	Rated Current	0.14 (0.16 Max)	Amp
	Input Power	1.68 (1.92 Max)	Watts
	Tach Output	NA	Pulses/Rev
	Polarity Protection	Yes	N/A
Motor Protection	Yes	Type 1	



2	1	Logo Label	L06003B0001	JMC
1	1	Fan Model	6025 - 12	JMC
Item	Qty	Description	Part Number	MFG
		Austin Texas, USA Dong Guan, PRC	JMC The Fan Company	Fan, 60x25 mm, 12Vdc Dual Ball, Base Model
Drawn By		S. Apsangi	Size	Drawing Number
Engineer		J. Elmo	A1	06003B0001
			Rev	A
Scale: None			Sheet 1 of 1	

PROPRIETARY NOTE

This document is the property of JMC products and contains sensitive and confidential information. Neither this document nor any information it contains may be reproduced or distributed, without written permission by JMC products.