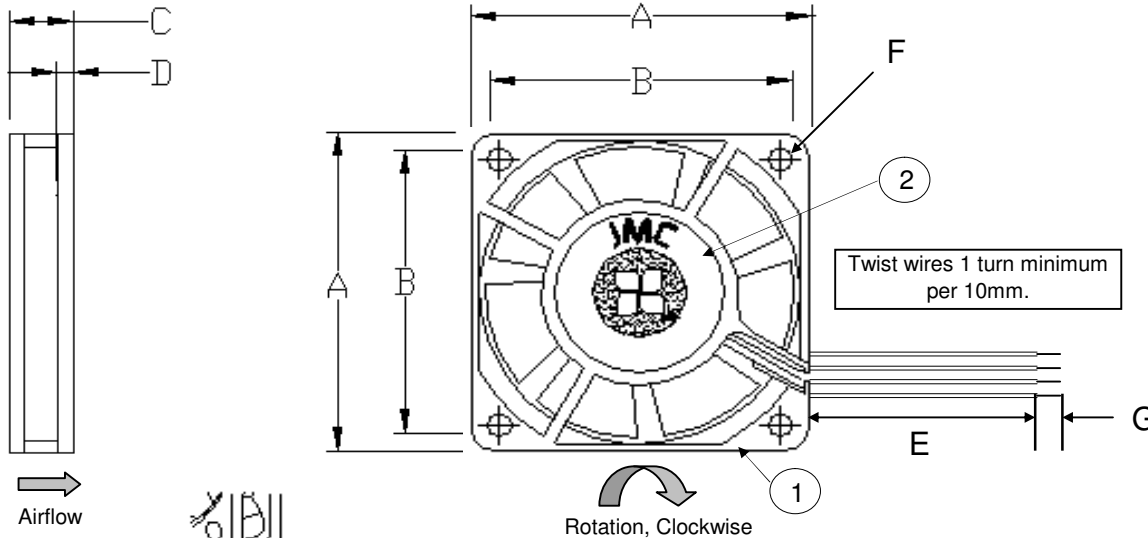


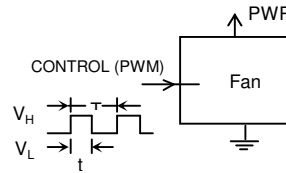
RELEASED FOR PRODUCTION



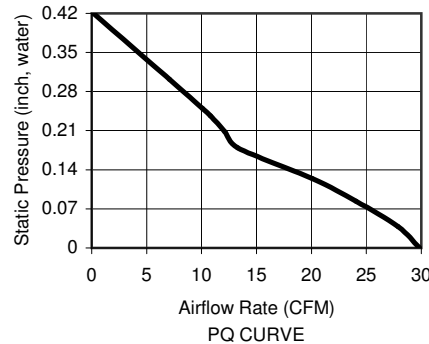
Frame Type (Closed Barrell)

| WIRE DESIGNATION | |
|------------------|---------------|
| WIRE COLOR | FUNCTION |
| Black | GND (-) |
| Yellow | PWR (+) |
| Green | Signal (Tach) |
| Blue | PWM |

| All Dimensions in mm | |
|----------------------|---------------------|
| A | 60 +/- 0.5 |
| B | 50 +/-0.3 |
| C | 15 +/-0.5 |
| D | 3.5 +/-0.3 |
| E | 300 +/- 30 |
| F | 4 X 4.3 Dia +/- 0.3 |
| G | 6.4 +/- 1.0 |



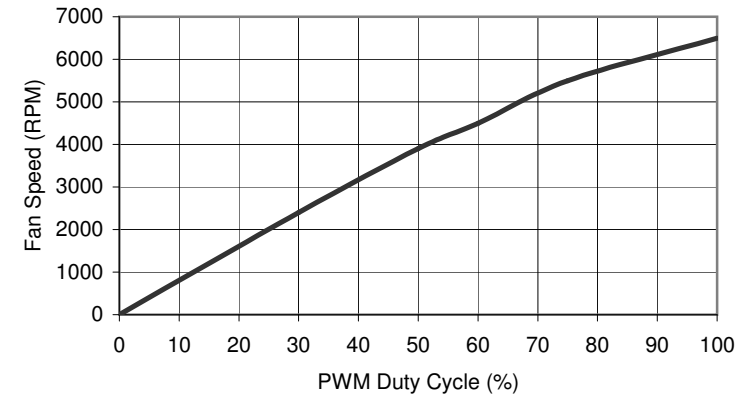
DUTY CYCLE = $t/T \times 100\%$
 PWM Fcy: 25KHz +/-5KHz
 PWM_High V_H: 2.8V - 5.5V
 PWM_Low V_L: 0V - 0.8V
 PWM Pin Open: Full Speed
 FRONT END PWM CIRCUIT



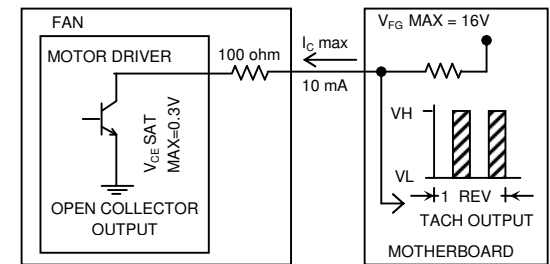
| Revision History | | | | |
|------------------|-----|----------|-------------------|-----------|
| EC No | REV | Date | Description | Approvals |
| NA | X03 | 11/30/11 | Updt. PWM, note 2 | JE |
| 110863 | REL | 6/5/12 | Released Drawing | JE |
| 110913 | A | 12/10/13 | Updt. Speed | JE |
| 110914 | B | 12/11/13 | Updt. Max Current | JE |

NOTES

1. THIS FAN AND ALL OF ITS COMPONENTS COMPLY WITH THE REQUIREMENTS OF RoHS DIRECTIVE 2011/65/EU
2. THIS IS A BASE MODEL FAN. ANY CHANGES TO THE SPECIFICATIONS WILL REQUIRE A NEW PART NUMBER AND DRAWING.
3. RPM TOLERANCE IS +/-30% AT DUTY CYCLES BELOW 30%. AT DUTY CYCLES BETWEEN 30% AND 100%, RPM TOLERANCE CONVERGES LINEARLY TO 10%.



PWM DUTY CYCLE vs. FAN SPEED AT 12V



TACH OUTPUT ELECTRICAL CHARACTERISTICS

MECHANICAL

PHYSICAL

ELECTRICAL

| ITEM | SPECIFICATION | UNITS / NOTES |
|----------------------|-----------------|------------------------|
| Speed | 6500 +/- 10% | RPM at 12 Vdc |
| Airflow | 29.85 | CFM in Free Air |
| Static Pressure | 0.42 | Inch, H ₂ O |
| Bearing Type | Dual Ball | N/A |
| Operating Temp | (-)10 to 60 | Deg C |
| Storage Temp | (-) 40 to 70 | Deg C |
| Noise Level | 43.6 | dBA Max at 1M |
| Blade Material | UL 94V-0 | N/A |
| Frame Material | UL 94V-0 | N/A |
| Wire Size | 26 | AWG |
| Wire Type | UL 1007 | N/A |
| Wire Assembly | First Slot Only | N/A |
| Regulatory Approvals | UL CUL TUV | N/A |
| Net Weight | TBD | Grams |
| Operating Voltage | 10.8 -12.6 | Vdc |
| Start up duty cycle | 30.0 | % |
| Rated Current | 0.34 (0.35 Max) | Amp |
| Input Power | 4.08 (4.20 Max) | Watts |
| Tach Output | 2 | Pulses/Rev |
| Polarity Protection | Yes | N/A |
| Motor Protection | Yes | Type 2 |

| | | | | |
|-------------------------------------|-------------|-------------------------------|---|-----|
| 2 | 1 | Logo Label | L06001B0004 | JMC |
| 1 | 1 | Fan Model | 6015 - 12 | JMC |
| Item | Qty | Description | Part Number | MFG |
| Austin Texas, USA Dong Guan, PRC | | JMC The Fan Company | Fan, 60x15 mm 12Vdc, PWM, DBB, Base Model | |
| Drawn By S.Apsangi | Size A1 | Drawing Number 06001B0004 | Rev B | |
| Engineer J. Elmo | Scale: None | | Sheet 1 of 1 | |

PROPRIETARY NOTE

This document is the property of JMC products and contains sensitive and confidential information. Neither this document nor any information it contains may be reproduced or distributed, without written permission by JMC products.