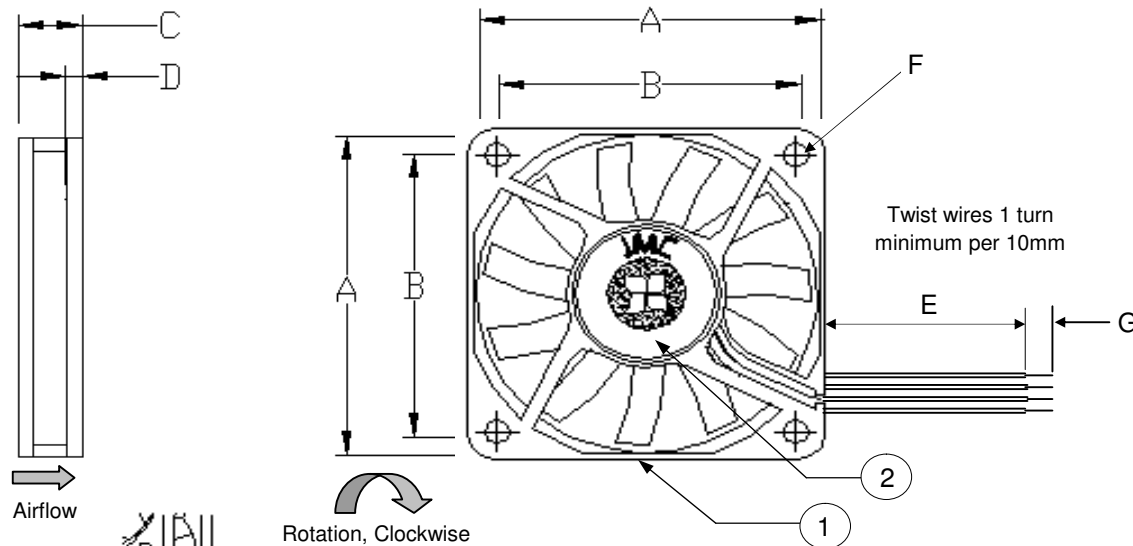


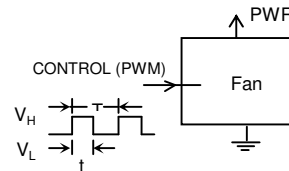
NOT RELEASED FOR PRODUCTION



Frame Type (Closed Barrell)

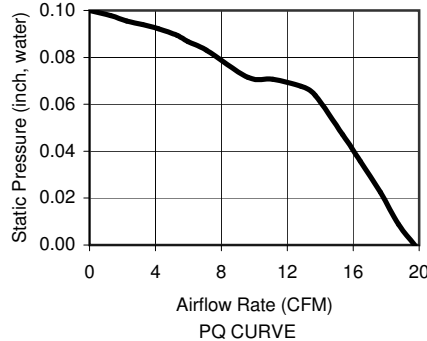
WIRE DESIGNATION	
FUNCTION	WIRE COLOR
GND (-)	Black
PWR (+)	Yellow
Signal (Tach)	Green
PWM	Blue

All Dimensions in mm	
A	60 +/- 0.5
B	50 +/-0.3
C	10.5 +/-0.5
D	2.5 +/-0.3
E	300 +/- 30
F	4x 4.3 +/- 0.3 Dia
G	6.4 +/-1.0



DUTY CYCLE = $t/T \times 100\%$
 PWM Fcy: 25KHz +/-5KHz
 PWM_High V_H : 2.8V - 5.5V
 PWM_Low V_L : 0V - 0.8V
 PWM Pin Open: Full Speed

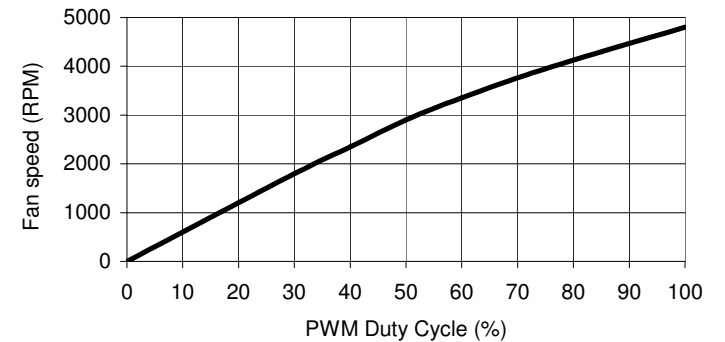
FRONT END PWM CIRCUIT



Revision History				
EC No	REV	Date	Description	Approvals
NA	X00	12/12/13	Created Dwg.	JE

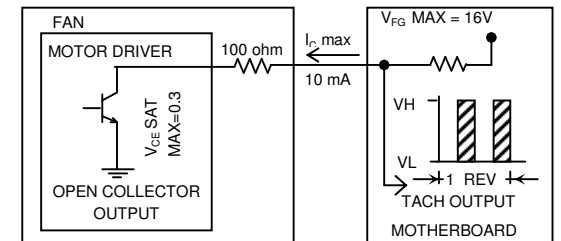
NOTES:

- THIS FAN AND ALL OF ITS COMPONENTS COMPLY WITH THE REQUIREMENTS OF RoHS DIRECTIVE 2002/95/EC
- BASE MODEL FAN - ANY CHANGES TO SPECIFICATION REQUIRES NEW PART NUMBER.
- RPM TOLERANCE IS +/-30% AT DUTY CYCLES BELOW 30%. AT DUTY CYCLES BETWEEN 30% AND 100%, RPM TOLERANCE CONVERGES LINEARLY TO 10%.



PWM DUTY CYCLE vs. FAN SPEED AT 12V

	ITEM	SPECIFICATION	UNITS / NOTES
MECHANICAL	Speed	4800 +/- 10%	RPM at 12 Vdc
	Airflow	19.73	CFM in Free Air
	Static Pressure	0.10	Inch, H ₂ O
	Bearing Type	Dual Ball	N/A
	Operating Temp	(-)10 to 70	Deg C
	Storage Temp	(-) 40 to 70	Deg C
	Noise Level	35.2	dBA Max at 1M
PHYSICAL	Blade Material	UL 94V-0	N/A
	Frame Material	UL 94V-0	N/A
	Wire Size	30	AWG
	Wire Type	UL 1007	N/A
	Wire Assembly	First Slot Only	N/A
ELECTRICAL	Regulatory Approvals	UL CUL TUV	N/A
	Net Weight	TBD	Grams
	Operating Voltage	10.8 to 13.2	Vdc
	Start up PWM Duty Cycle	30.0	%
	Rated Current	0.15 (0.17 Max)	Amp
	Input Power	1.80 (2.04 Max)	Watts
	Tach Output	2	Pulses/Rev
	Polarity Protection	Yes	N/A
Motor Protection	Yes	Type 2	



TACH OUTPUT ELECTRICAL CHARACTERISTICS

2	1	Logo Label	L06000B0004	JMC
1	1	Fan Model	6010 -12	JMC
Item	Qty	Description	Part Number	MFG
Austin Texas, USA Dong Guan, PRC		 The Fan Company	FAN, 60x10 mm, 12Vdc PWM, Dual Ball, Custom	
Drawn By A. Aguirre			Size A1	Drawing Number 06000B0004
Engineer J. Elmo		Scale: None		Sheet 1 of 1

PROPRIETARY NOTE

This document is the property of JMC products and contains sensitive and confidential information. Neither this document nor any information it contains may be reproduced or distributed, without written permission by JMC products.