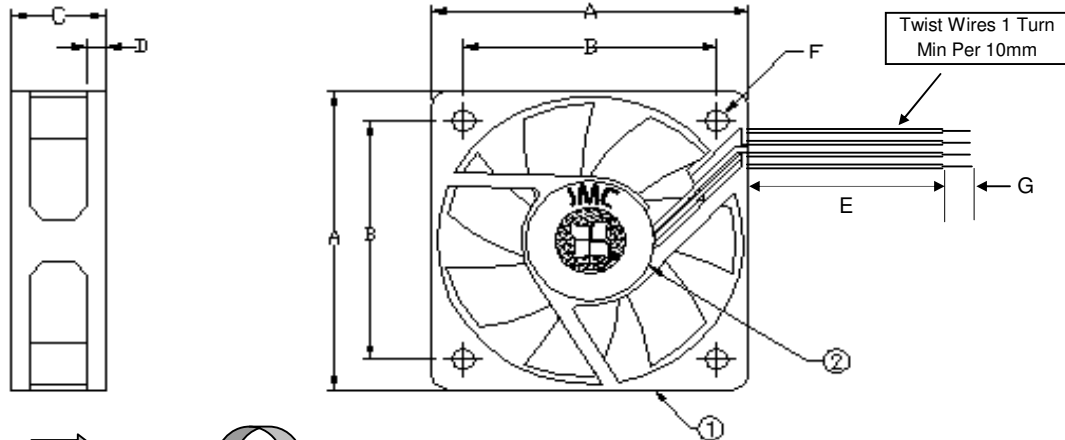


NOT RELEASED FOR PRODUCTION

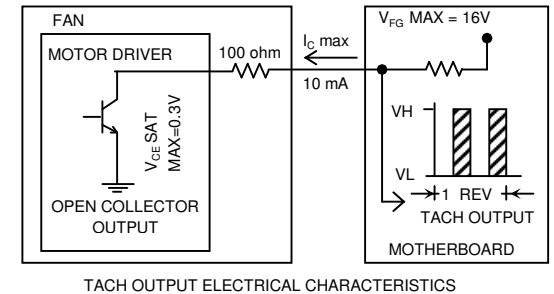
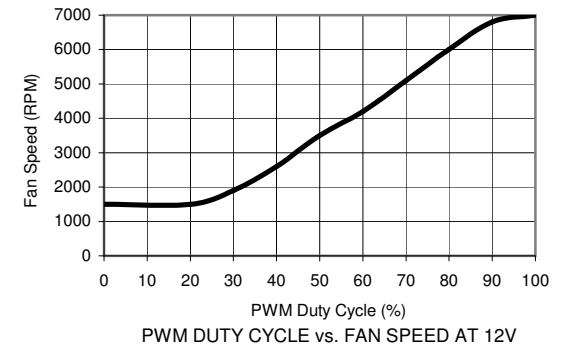
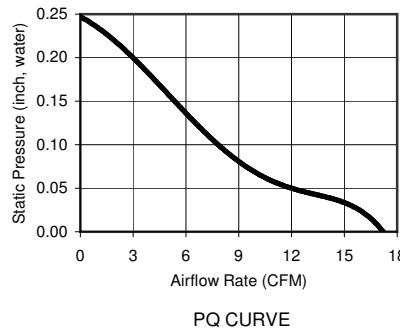
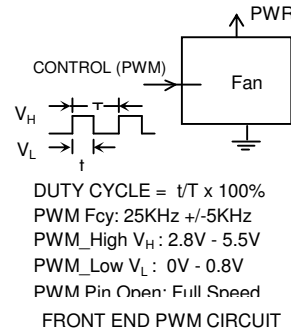


Airflow →
Rotation, Clockwise ↻

WIRE DESIGNATION	
WIRE COLOR	FUNCTION
Black	GND (-)
Yellow	PWR (+)
Green	TACH
Blue	PWM

All Dimensions in mm	
A	50 +/- 0.5
B	40 +/-0.3
C	15 +/-0.5
D	3.0 +/-0.3
E	300 +/- 30
F	4 X 3.7 Dia +/- 0.3
G	6.4 +/- 1.0

Frame Type (Closed Barrel)



	ITEM	SPECIFICATION	UNITS / NOTES
MECHANICAL	Speed	7000 +/- 10%	RPM at 12 Vdc
	Airflow	17.23	CFM in Free Air
	Static Pressure	0.25	Inch, H ₂ O
	Bearing Type	Ball, Dual	N/A
	Operating Temp	(-)10 to 70	Deg C
	Storage Temp	(-)40 to 70	Deg C
	Noise Level	38.0	dBA Max at 1M
PHYSICAL	Blade Material	UL 94V-0	N/A
	Frame Material	UL 94V-0	N/A
	Wire Size	26	AWG
	Wire Type	UL 1007	N/A
	Wire Assembly	First Slot Only	N/A
Regulatory Approvals	UL CUL TUV	N/A	
ELECTRICAL	Net Weight	TBD	Grams
	Operating Voltage	10.8 - 13.2	Vdc
	Start up Voltage	NA	Vdc
	Start up PWM duty cycle	30.0	%
	Rated Current	0.25 (0.28 Max)	Amp
	Input Power	3.0 (3.36 Max)	Watts
	Tach Output	2	Pulses/Rev
	Polarity Protection	Yes	N/A
Motor Protection	Yes	Type 2	

2	1	Logo Label	L05001B0004	JMC
1	1	Fan Model	5015-12	JMC
Item	Qty	Description	Part Number	MFG

Austin Texas, USA Dong Guan, PRC	JMC The Fan Company	FAN, 50x15 mm, 12Vdc Dual Ball, Base Model		
Drawn By S. Apsangi	Size A1	Drawing Number 05001B0004	Rev X03	
Engineer J. Elmo	Scale: None		Sheet 1 of 1	

PROPRIETARY NOTE

This document is the property of JMC products and contains sensitive and confidential information. Neither this document nor any information it contains may be reproduced or distributed, without written permission by JMC products.