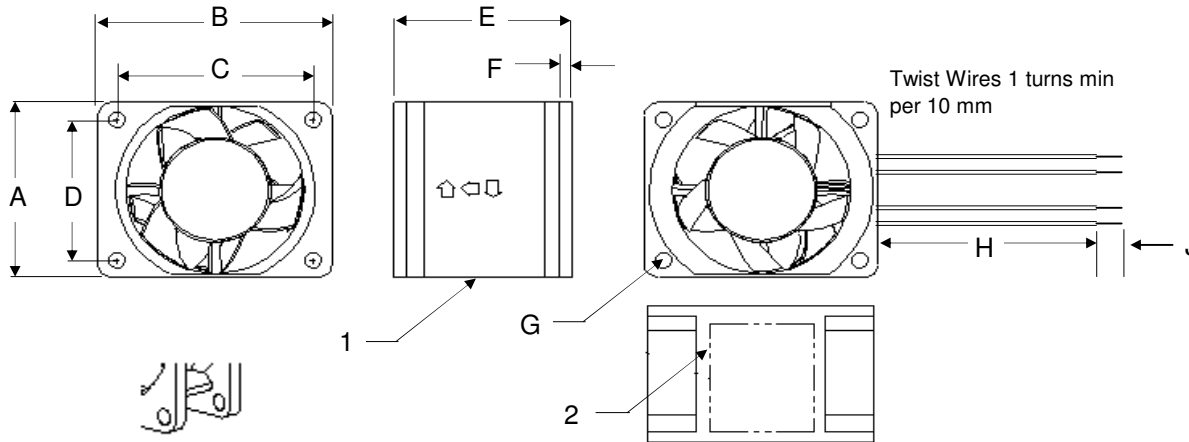


NOT RELEASED FOR PRODUCTION

Revision History

EC No	REV	Date	Description	Approvals
NA	X00	12/14/2011	Created Drg.	JE
NA	X01	11/14/2013	Updt. Speed	JE



NOTES

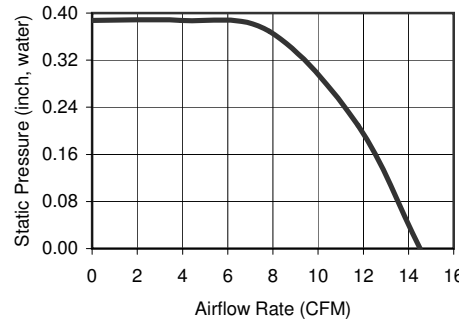
1. THIS FAN AND ALL OF ITS COMPONENTS COMPLY WITH THE REQUIREMENTS OF RoHS DIRECTIVE 2011/65/EU
2. BASE MODEL FAN - ANY CHANGES TO SPECIFICATION REQUIRES NEW PART NUMBER.

Frame Type (Open Flange)

WIRE DESIGNATION (inlet & exhaust)	
WIRE COLOR	FUNCTION
Black	GND (-)
Red	PWR (+)

All Dimensions in mm	
A	40 +/- 0.5
B	50 +/- 0.5
C	42 +/- 0.3
D	32 +/- 0.3
E	32 +/- 0.5
F	2.6 +/- 0.3
G	8 X 3.5 +/- 0.3
H	300 +/- 30
J	6.4 +/- 1.0

	ITEM	SPECIFICATION	UNITS / NOTES
MECHANICAL	Speed	8000 +/- 10% (inlet)	RPM at 12 Vdc
	Airflow	14.51 (inlet & exhaust)	CFM in Free Air
	Static Pressure	0.39 (inlet & exhaust)	Inch, H ₂ O
	Bearing Type	Dual Ball (inlet & exhaust)	N/A
	Operating Temp	(-)10 to 70	Deg C
	Storage Temp	(-) 40 to 70	Deg C
	Noise Level	35.9	dBA Max at 1M
PHYSICAL	Blade Material	UL 94V-0	N/A
	Frame Material	UL 94V-0	N/A
	Wire Size	24	AWG
	Wire Type	UL 1007 or 1061	N/A
	Wire Assembly	Through Frame	N/A
	Regulatory Approvals	UL CUL TUV	N/A
ELECTRICAL	Net Weight	TBD	Grams
	Operating Voltage	10.8 - 13.2	Vdc
	Starting Voltage	10.8	Vdc
	Rated Current	0.33 (0.37 Max)	Amp
	Input Power	3.96 (4.44 Max)	Watts
	Tach Output	NA	Pulses/Rev
	Polarity Protection	Yes	N/A
	Motor Protection	Yes	Type2



2	1	Logo Label	L04006B0002	JMC
1	1	Fan Model	405032-12	JMC
Item	Qty	Description	Part Number	MFG
Austin Texas, USA Dong Guan, PRC		Fan, 40x50x32 mm, CTR 12Vdc Dual Ball, Base Model		
Drawn By S. Apsangi		Size A1	Drawing Number 04006B0002	Rev X01
Engineer J. Elmo		Scale: None		Sheet 1 of 1

PROPRIETARY NOTE

This document is the property of JMC products and contains sensitive and confidential information. Neither this document nor any information it contains may be reproduced or distributed, without written permission by JMC products.