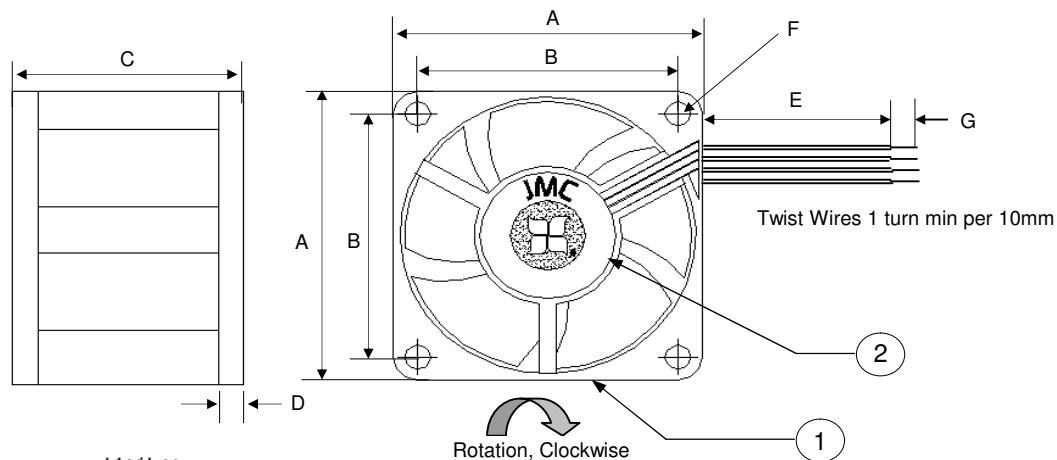


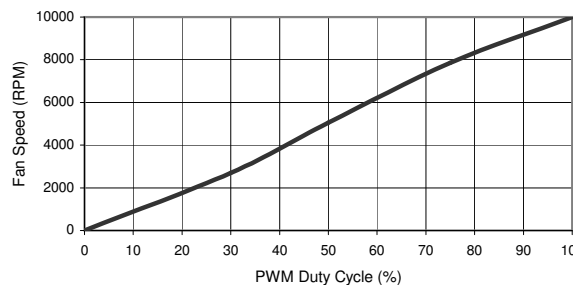
**NOT RELEASED FOR PRODUCTION**



Revision History				
EC No	REV	Date	Description	Approvals
NA	X03	03/13/12	PWM Curve/Current	JE
NA	X04	10/15/2013	Updt. Note 1/dBA	JE

**NOTES**

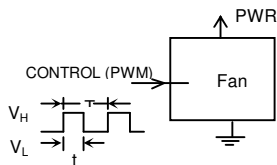
- THIS FAN AND ALL OF ITS COMPONENTS COMPLY WITH THE REQUIREMENTS OF RoHS DIRECTIVE 2011/65/EU
- BASE MODEL FAN - ANY CHANGES TO SPECIFICATION REQUIRES NEW PART NUMBER.
- RPM TOLERANCE IS +/-30% AT DUTY CYCLES BELOW 30%. AT DUTY CYCLES BETWEEN 30% AND 100%, RPM TOLERANCE CONVERGES LINEARLY TO 10%.



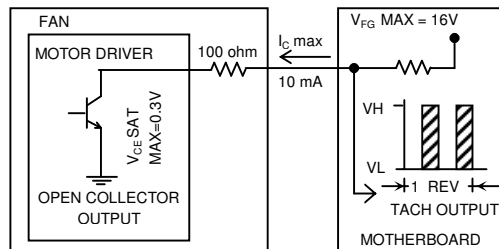
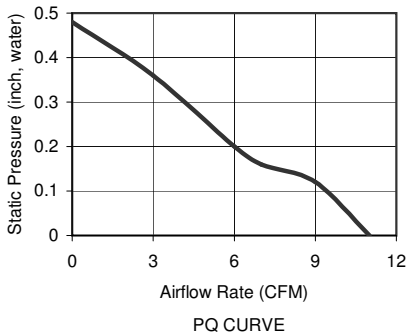
PWM DUTY CYCLE vs. FAN SPEED AT 12V

WIRE DESIGNATION	
Wire Color	Function
Black	GND (-)
Yellow	PWR (12Vdc)
Green	TACH
Blue	PWM

All Dimensions in mm	
A	40 +/- 0.5
B	32.5 +/- 0.3
C	25 +/- 0.5
D	4 +/- 0.5
E	300 +/- 25
F	4 X 3.5 +/- 0.3
G	6.4 +/- 1.0



DUTY CYCLE =  $t/T \times 100\%$   
 PWM Fcy: 25KHz +/-5KHz  
 PWM\_High  $V_H$ : 2.8V - 5.5V  
 PWM\_Low  $V_L$ : 0V - 0.8V  
 PWM Pin Open: Full Speed  
 FRONT END PWM CIRCUIT



TACH OUTPUT ELECTRICAL CHARACTERISTICS

	ITEM	SPECIFICATION	UNITS / NOTES
MECHANICAL	Speed	10,000 +/- 10%	RPM at 12 Vdc
	Airflow	11.0	CFM in Free Air
	Static Pressure	0.48	Inch, H <sub>2</sub> O
	Bearing Type	Ball, Dual	N/A
	Operating Temp	-10 to 70	Deg C
	Storage Temp	-40 to 70	Deg C
	Noise Level	38.1	dBA Max at 1M
PHYSICAL	Blade Material	UL 94V-0	N/A
	Frame Material	UL 94V-0	N/A
	Wire Size	26	AWG
	Wire Type	UL 1061	N/A
	Wire Assembly	First Slot	N/A
ELECTRICAL	Regulatory Approvals	UL CUL TUV	N/A
	Net Weight	42.0	Grams
	Operating Voltage	10.8 to 13.2	Vdc
	Startup Duty Cycle	30	%
	Rated Current	0.28 ( 0.32 Max )	Amp
	Input Power	3.36 ( 3.84 Max )	Watts
	Tach Output	2	Pulses/Rev
	Polarity Protection	Yes	N/A
	Motor Protection	Yes	Type 2

2	1	Logo Label	L04002B0004	JMC
1	1	Fan Model	4025 - 12	JMC
Item	Qty	Description	Part Number	MFG
Austin Texas, USA		<b>JMC</b> The Fan Company	Fan, 40 x 25 mm, 12Vdc	
Dong Guan, PRC			Dual Ball, Base Model	
Drawn By		Size	Drawing Number	Rev
S. Apsangi		A1	04002B0004	X04
Engineer		Scale: None		Sheet 1 of 1
J. Elmo				

PROPRIETARY NOTE

This document is the property of JMC products and contains sensitive and confidential information. Neither this document nor any information it contains may be reproduced or distributed, without written permission by JMC products.