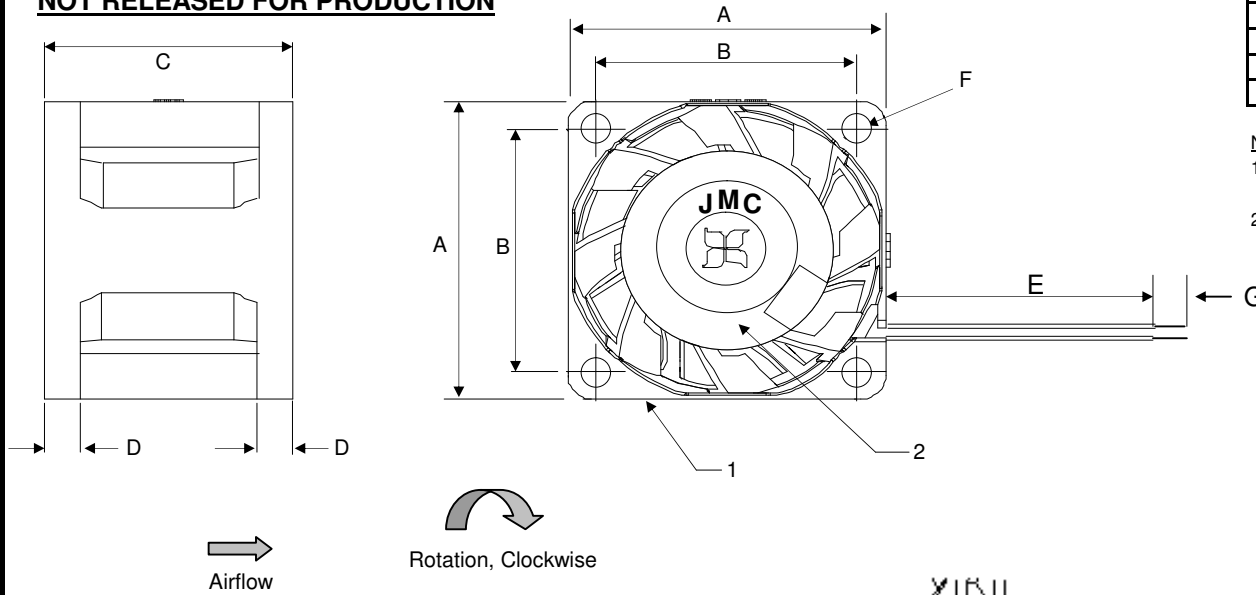


NOT RELEASED FOR PRODUCTION



Revision History				
EC No	REV	Date	Description	Approvals
N/A	X00	8/23/11	Created Dwg.	JE
N/A	X01	12/13/11	Added UL, TUV	JE
N/A	X02	7/31/13	Updt. Operating Voltg.	JE

NOTES

- 1.- THIS FAN AND ALL OF ITS COMPONENTS COMPLY WITH THE REQUIREMENTS OF RoHS DIRECTIVE 2011/65/EU
- 2.- BASE MODEL FAN - ANY CHANGES TO SPECIFICATION REQUIRES NEW PART NUMBER.

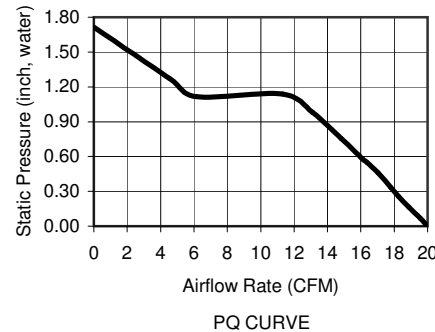
WIRE DESIGNATION	
FUNCTION	WIRE COLOR
GND (-)	Black
PWR (+)	Red

All Dimensions in mm	
A	36 +/- 0.5
B	29.5 +/-0.3
C	28 +/-0.5
D	4.0 +/-0.3
E	300 +/- 30
F	4 X 3.5 Dia +/- 0.3
G	6.4 +/- 1.0



Frame Type (Closed Barrell)

	ITEM	SPECIFICATION	UNITS / NOTES
MECHANICAL	Speed	21,000 +/- 10%	RPM at 12 Vdc
	Airflow	20.0	CFM in Free Air
	Static Pressure	1.70	Inch, H ₂ O
	Bearing Type	Ball, Dual	N/A
	Operating Temp	(-)10 to 70	Deg C
	Storage Temp	(-)40 to 70	Deg C
	Noise Level	61.2	dBA Max at 1M
PHYSICAL	Blade Material	UL 94V-0	N/A
	Frame Material	UL94V-0	N/A
	Wire Size	26	AWG
	Wire Type	UL 1061	N/A
	Wire Assembly	First Slot Only	N/A
	Regulatory Approvals	UL CUL TUV	N/A
ELECTRICAL	Net Weight	TBD	Grams
	Operating Voltage	10.8 - 12.6	Vdc
	Start up Voltage	10.8	Vdc
	Rated Current	1.1 (1.27 Max)	Amp
	Input Power	13.2 (15.24 Max)	Watts
	Tach Output	N/A	Pulses/Rev
	Polarity Protection	Yes	N/A
	Motor Protection	Yes	Type 2



2	1	Logo Label	L03601B0003	JMC
1	1	Fan Model	3628-12 745Y	JMC
Item	Qty	Description	Part Number	MFG
Austin Texas, USA Dong Guan, PRC		JMC The Fan Company	Fan, 36x28 FV, 12Vdc DBB, Base Model	
Drawn By A. Aguire	Size A1	Drawing Number 03601B0003	Rev X02	
Electrical Engineer J. Elmo	Scale: None		Sheet 1 of 1	

PROPRIETARY NOTE

This document is the property of JMC products and contains sensitive and confidential information. Neither this document nor any information it contains may be reproduced or distributed, without written permission by JMC products.