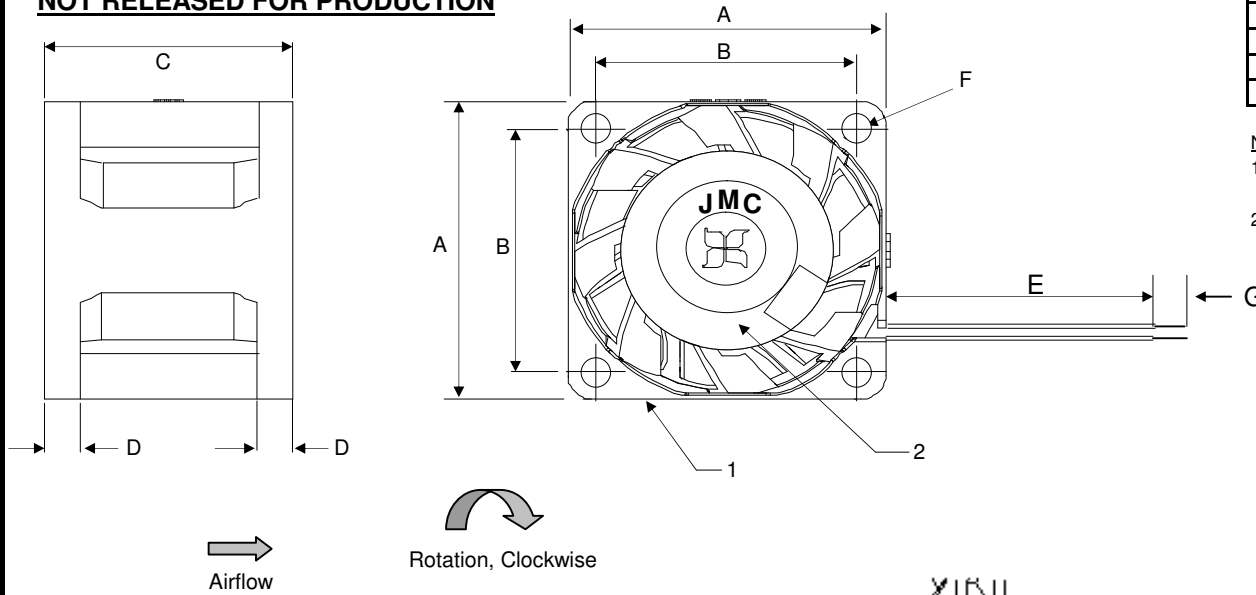


NOT RELEASED FOR PRODUCTION



Revision History				
EC No	REV	Date	Description	Approvals
N/A	X00	8/23/11	Created Dwg.	JE
N/A	X01	12/13/11	Added UL, TUV	JE
N/A	X02	10/2/13	Updt. Speed	JE

NOTES

- 1.- THIS FAN AND ALL OF ITS COMPONENTS COMPLY WITH THE REQUIREMENTS OF RoHS DIRECTIVE 2011/65/EU
- 2.- BASE MODEL FAN - ANY CHANGES TO SPECIFICATION REQUIRES NEW PART NUMBER.

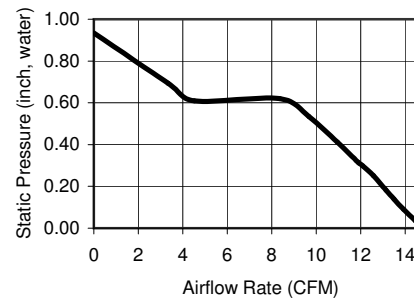
WIRE DESIGNATION	
FUNCTION	WIRE COLOR
GND (-)	Black
PWR (+)	Red

All Dimensions in mm	
A	36 +/- 0.5
B	29.5 +/-0.3
C	28 +/-0.5
D	4.0 +/-0.3
E	300 +/- 30
F	4 X 3.5 Dia +/- 0.3
G	6.4 +/- 1.0



Frame Type (Closed Barrell)

	ITEM	SPECIFICATION	UNITS / NOTES
MECHANICAL	Speed	15,500 +/- 10%	RPM at 12 Vdc
	Airflow	14.76	CFM in Free Air
	Static Pressure	0.93	Inch, H ₂ O
	Bearing Type	Ball, Dual	N/A
	Operating Temp	(-)10 to 70	Deg C
	Storage Temp	(-)40 to 70	Deg C
	Noise Level	54.5	dBA Max at 1M
PHYSICAL	Blade Material	UL 94V-0	N/A
	Frame Material	UL94V-0	N/A
	Wire Size	26.0	AWG
	Wire Type	UL 1061	N/A
	Wire Assembly	First Slot Only	N/A
	Regulatory Approvals	UL CUL TUV	N/A
ELECTRICAL	Net Weight	TBD	Grams
	Operating Voltage	10.8 - 13.2	Vdc
	Start up Voltage	10.8	Vdc
	Rated Current	0.80 (0.92 Max)	Amp
	Input Power	9.60 (11.04 Max)	Watts
	Tach Output	N/A	Pulses/Rev
	Polarity Protection	Yes	N/A
	Motor Protection	Yes	Type 2



PQ CURVE

2	1	Logo Label	L03601B0002	JMC
1	1	Fan Model	3628-12 668Y	JMC
Item	Qty	Description	Part Number	MFG
Austin Texas, USA Dong Guan, PRC		 The Fan Company	Fan, 36x28 FV, 12Vdc DBB, Base Model	
Drawn By A. Aguire			Size A1	Drawing Number 03601B0002
Electrical Engineer J. Elmo		Scale: None		Sheet 1 of 1

PROPRIETARY NOTE

This document is the property of JMC products and contains sensitive and confidential information. Neither this document nor any information it contains may be reproduced or distributed, without written permission by JMC products.