

WIRE DESIGNATION	
GND (-)	Black
PWR (+)	Yellow
PWM	Blue
SIGNAL (TACH)	Green
LOW RPM ALARM OUTPUT	White

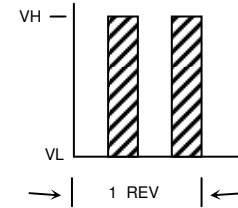
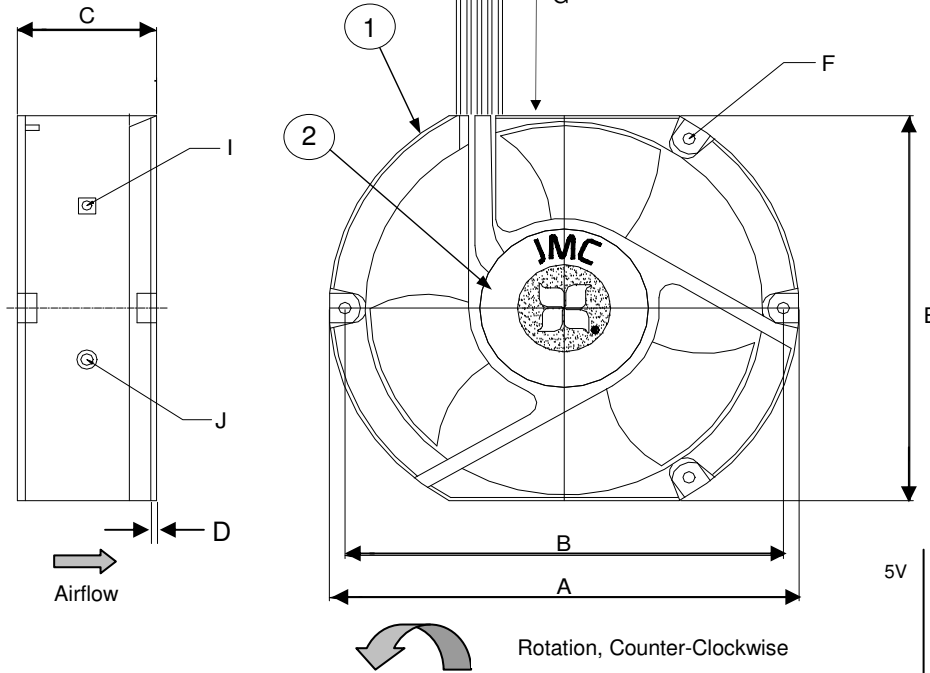
Revision History				
EC No	REV	Date	Description	Approvals
NA	X00	9/12/13	Created Dwg.	JE

Frame Type (Open Flange)

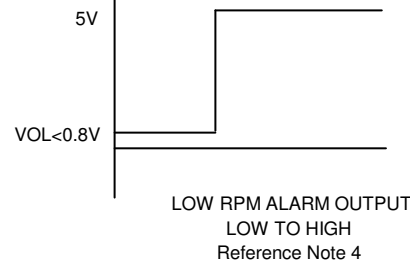
NOT RELEASED FOR PRODUCTION

NOTES

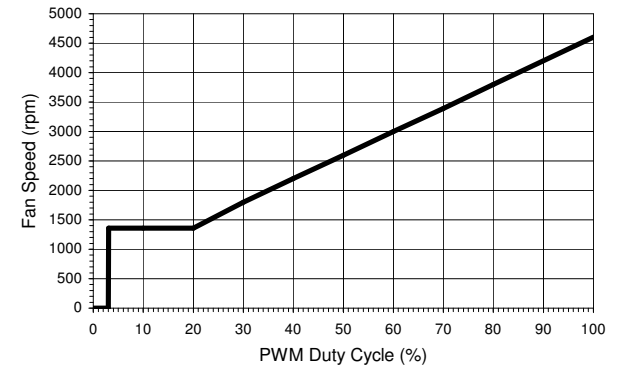
1. BASE MODEL FAN - ANY CHANGES TO SPECIFICATION REQUIRES NEW PART NUMBER.
2. THIS FAN AND ALL OF ITS COMPONENTS COMPLY WITH THE REQUIREMENTS OF RoHS DIRECTIVE 2011/65/EU
3. THIS FAN USES MICROCONTROLLER DESIGN WITH INTERNAL CLOSED LOOP SPEED CONTROL FOR RPM STABILIZATION. RPM SHALL BE WITHIN 1% OF SPECIFIED RPM VS DUTY CYCLE SPEED.
4. IF RPM IS 10% BELOW THE SPECIFIED RPM VS DUTY CYCLE SPEED, THEN AN ALARM SIGNAL IS GENERATED. ALARM WILL REMAIN ACTIVE UNTIL RESET BY TURNING POWER OFF THEN ON.



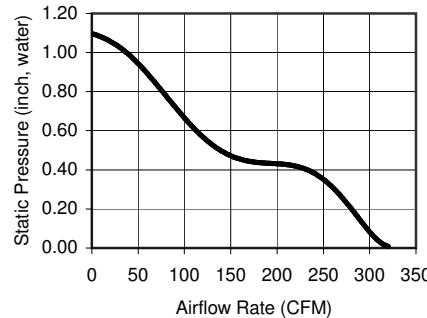
OPEN COLLECTOR TACH OUTPUT



All Dimensions in mm	
A	172 +/- 1.0
B	162.0 +/- 0.5
C	51.5 +/- 1.0
D	3.0 +/- 0.3
E	151 +/- 1.0
F	8x4.5 Dia +/- 0.3
G	300.0 +/- 30
H	6.4 +/- 1.0
I	M3.5
J	M4.0



PWM DUTY CYCLE vs. FAN SPEED Reference Note 3



PQ CURVE

	ITEM	SPECIFICATION	UNITS / NOTES
MECHANICAL	Speed	4600	RPM at 48Vdc
	Airflow	320	CFM in Free Air
	Static Pressure	1.1	Inch, H ₂ O
	Bearing Type	Dual Ball	N/A
	Operating Temp	(-)10 to 70	Deg C
	Storage Temp	(-) 40 to 70	Deg C
	Noise Level	67.0	dBA Max at 1M
PHYSICAL	Blade Material	Thermal Plastic	N/A
	Frame Material	Aluminum Alloy	N/A
	Wire Size	20	AWG
	Wire Type	UL 3266	N/A
	Wire Assembly	First Slot Only	N/A
	Regulatory Approvals	UL CUL TUV	N/A
ELECTRICAL	Net Weight	715.0	Grams
	Operating Voltage	38.4 - 57.6	Vdc
	Start up Duty Cycle	20	%
	Rated Current (at 48V)	0.70 (0.80 Max)	Amp
	Input Power (at 48V)	33.6 (38.4 Max)	Watts
	Tach Output	2	Pulses/Rev
	Polarity Protection	Yes	N/A
	Motor Protection	Yes	Type 2

2	1	Logo Label	L17200BU003	JMC
1	1	Fan Model	1751 - 48 366Y	JMC
Item	Qty	Description	Part Number	MFG
Austin Texas, USA		JMC The Fan Company	Fan, 172x151x51, 48 VDC, Tach, PWM, MCU, DBB, Base Model	
Dong Guan, PRC			Size	Drawing Number
Drawn By		A1	17200BU003	X00
A.Aguirre		Scale: None		
Engineer		Sheet 1 of 1		
J. Elmo				

PROPRIETARY NOTE