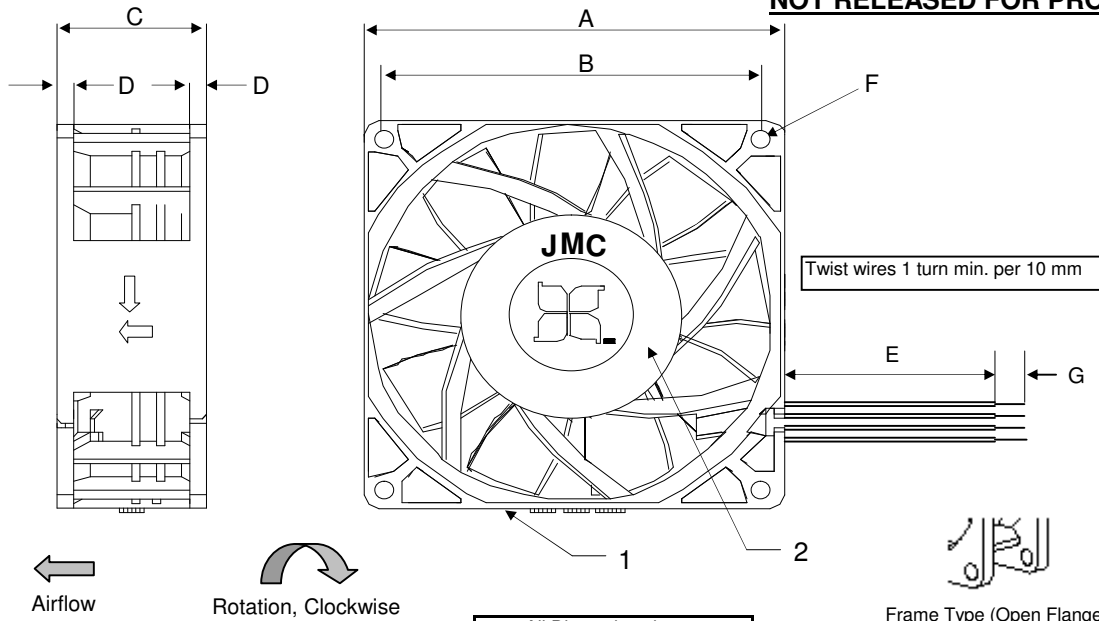


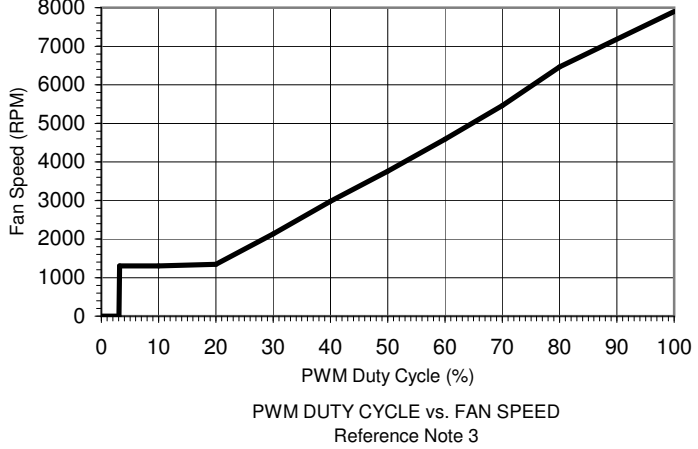
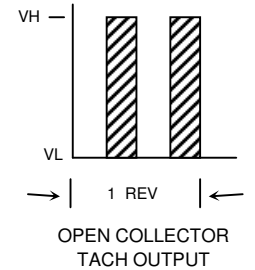
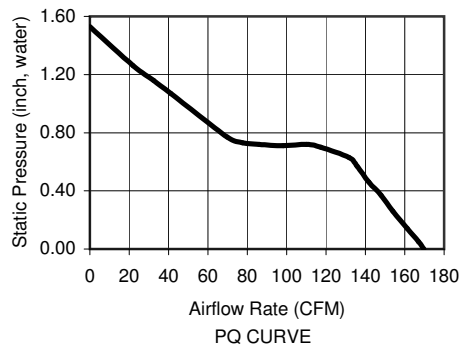
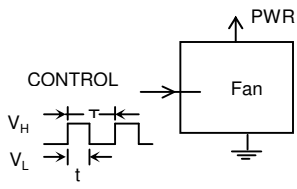
**NOT RELEASED FOR PRODUCTION**



WIRE DESIGNATION	
GND (-)	Black
PWR (+)	Yellow
PWM	Blue
SIGNAL (TACH)	Green

All Dimensions in mm	
A	92 +/-0.5
B	82.5 +/-0.3
C	38.0 +/- 0.5
D	4.0 +/- 0.3
E	300 +/- 30
F	8 X 4.4 +/- 0.3
G	6.4 +/- 1.0

Frame Type (Open Flange)



Revision History				
EC No	REV	Date	Description	Approvals
NA	X01	10/28/13	Rmvd Lw PRM Alarm Ouput	JE

- NOTES
1. BASE MODEL FAN - ANY CHANGES TO SPECIFICATION REQUIRES NEW PART NUMBER.
  2. THIS FAN AND ALL OF ITS COMPONENTS COMPLY WITH THE REQUIREMENTS OF RoHS DIRECTIVE 2011/65/EU
  3. THIS FAN USES MICROCONTROLLER DESIGN WITH INTERNAL CLOSED LOOP SPEED CONTROL FOR RPM STABILIZATION. RPM SHALL BE WITHIN 1% OF SPECIFIED RPM VS DUTY CYCLE SPEED.

	ITEM	SPECIFICATION	UNITS / NOTES	
MECHANICAL	Speed	7900	RPM at 48 Vdc	
	Airflow	168.0	CFM in Free Air	
	Static Pressure	1.53	Inch, H <sub>2</sub> O	
	Bearing Type	Dual Ball	N/A	
	Operating Temp	(-) 10 to 70	Deg C	
	Storage Temp	(-) 40 to 70	Deg C	
	Noise Level	65.8	dBA Max at 1M	
	PHYSICAL	Blade Material	UL 94V-0	N/A
		Frame Material	UL 94V-0	N/A
		Wire Size	24	AWG
Wire Type		UL 1007	N/A	
Wire Assembly		First Slot	N/A	
Regulatory Approvals		UL CUL	N/A	
Net Weight		TBD	Grams	
ELECTRICAL		Operating Voltage	38.4 - 57.6	Vdc
		Start up PWM duty cycle	20	%
		Rated Current	0.75 ( 0.86 Max. )	Amp
	Input Power	36.0 ( 41.28 Max. )	Watts	
	Tach Output	2	Pulses/Rev	
	Polarity Protection	Yes	N/A	
	Motor Protection	Yes	Type 2	

2	1	Logo Label	L09203BU003	JMC
1	1	Fan Model	9238 - 48	JMC
Item	Qty	Description	Part Number	MFG
Austin Texas, USA Dong Guan, PRC		 The Fan Company	Fan, 92x38 FV, 48Vdc, Tach, PWM, MCU, DBB, Base Model	
Drawn By A. Aguirre			Size A1	Drawing Number 09203BU003
Electrical Engineer J. Elmo		Scale: None		Sheet 1 of 1

PROPRIETARY NOTE