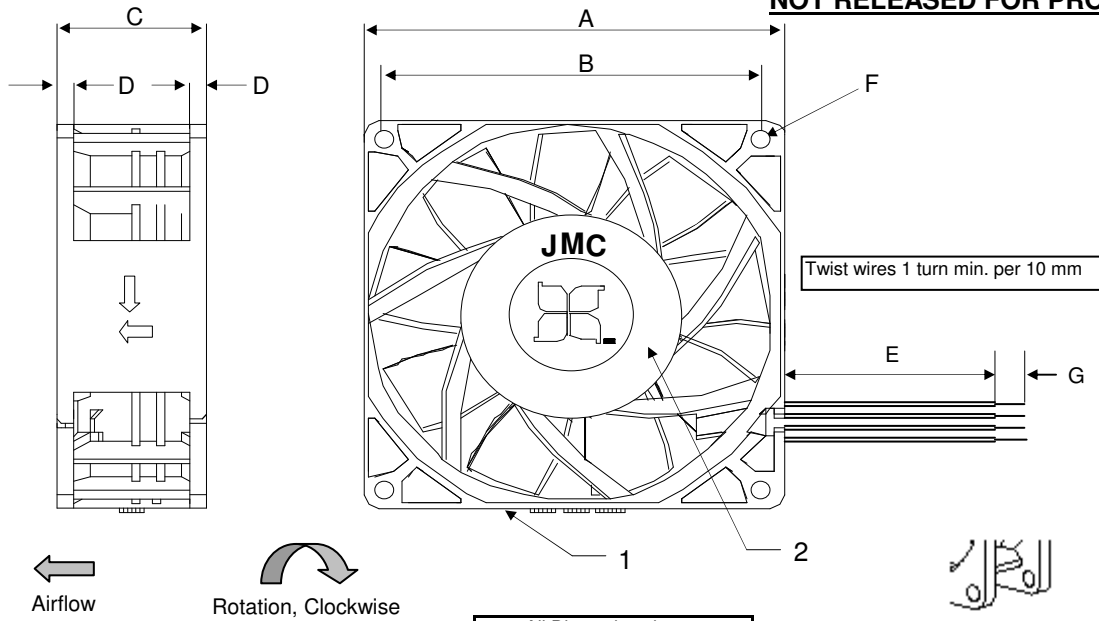


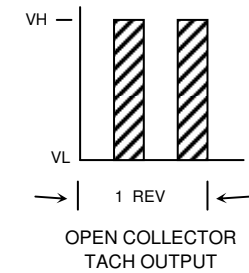
**NOT RELEASED FOR PRODUCTION**



Revision History				
EC No	REV	Date	Description	Approvals
NA	X00	9/21/13	Created Dwg.	JE

**NOTES**

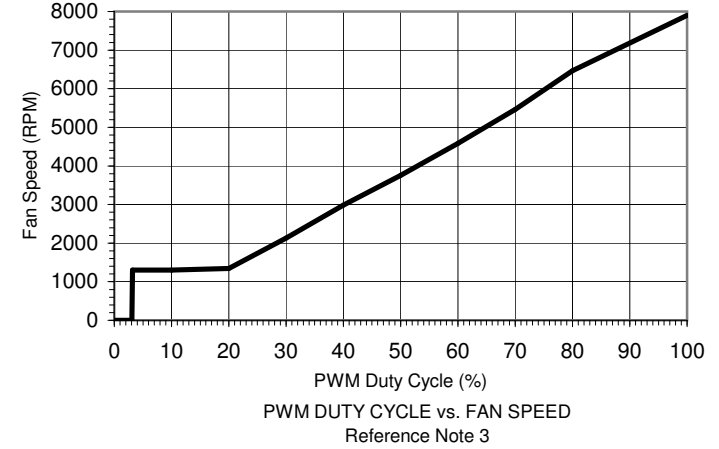
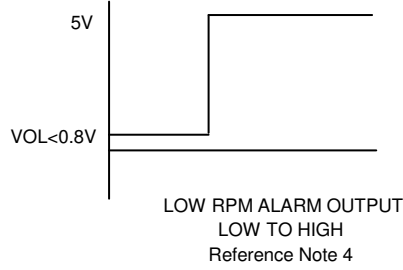
1. BASE MODEL FAN - ANY CHANGES TO SPECIFICATION REQUIRES NEW PART NUMBER.
2. THIS FAN AND ALL OF ITS COMPONENTS COMPLY WITH THE REQUIREMENTS OF RoHS DIRECTIVE 2011/65/EU
3. THIS FAN USES MICROCONTROLLER DESIGN WITH INTERNAL CLOSED LOOP SPEED CONTROL FOR RPM STABILIZATION. RPM SHALL BE WITHIN 1% OF SPECIFIED RPM VS DUTY CYCLE SPEED.
4. IF RPM IS 10% BELOW THE SPECIFIED RPM VS DUTY CYCLE SPEED, THEN AN ALARM SIGNAL IS GENERATED. ALARM WILL REMAIN ACTIVE UNTIL RESET BY TURNING POWER OFF THEN ON.



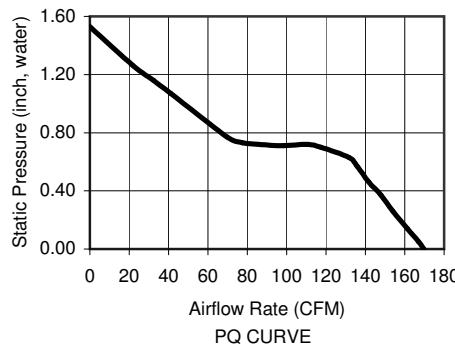
WIRE DESIGNATION	
GND (-)	Black
PWR (+)	Yellow
PWM	Blue
SIGNAL (TACH)	Green
LOW RPM ALARM OUTPUT	White

All Dimensions in mm	
A	92 +/-0.5
B	82.5 +/-0.3
C	38.0 +/- 0.5
D	4.0 +/- 0.3
E	300 +/- 30
F	8 X 4.4+/- 0.3
G	6.4+/- 1.0

Frame Type (Open Flange)



	ITEM	SPECIFICATION	UNITS / NOTES
MECHANICAL	Speed	7900	RPM at 48 Vdc
	Airflow	168.0	CFM in Free Air
	Static Pressure	1.53	Inch, H <sub>2</sub> O
	Bearing Type	Dual Ball	N/A
	Operating Temp	(-) 10 to 70	Deg C
PHYSICAL	Storage Temp	(-) 40 to 70	Deg C
	Noise Level	65.8	dBA Max at 1M
	Blade Material	UL 94V-0	N/A
	Frame Material	UL 94V-0	N/A
	Wire Size	24	AWG
ELECTRICAL	Wire Type	UL 1007	N/A
	Wire Assembly	First Slot	N/A
	Regulatory Approvals	UL CUL	N/A
	Net Weight	TBD	Grams
	Operating Voltage	38.4 - 57.6	Vdc
	Start up PWM duty cycle	20	%
	Rated Current	0.75 ( 0.86 Max. )	Amp
	Input Power	36.0 ( 41.28 Max. )	Watts
Tach Output	2	Pulses/Rev	
Polarity Protection	Yes	N/A	
Motor Protection	Yes	Type 2	



2	1	Logo Label	L09203BU003	JMC
1	1	Fan Model	9238 - 48	JMC
Item	Qty	Description	Part Number	MFG
Austin Texas, USA		<b>JMC</b> The Fan Company	Fan, 92x38 FV, 48Vdc, Tach, PWM, MCU, DBB, Base Model	
Dong Guan, PRC				
Drawn By A. Aguirre		Size A1	Drawing Number 09203BU003	Rev X00
Electrical Engineer J. Elmo		Scale: None		Sheet 1 of 1

PROPRIETARY NOTE