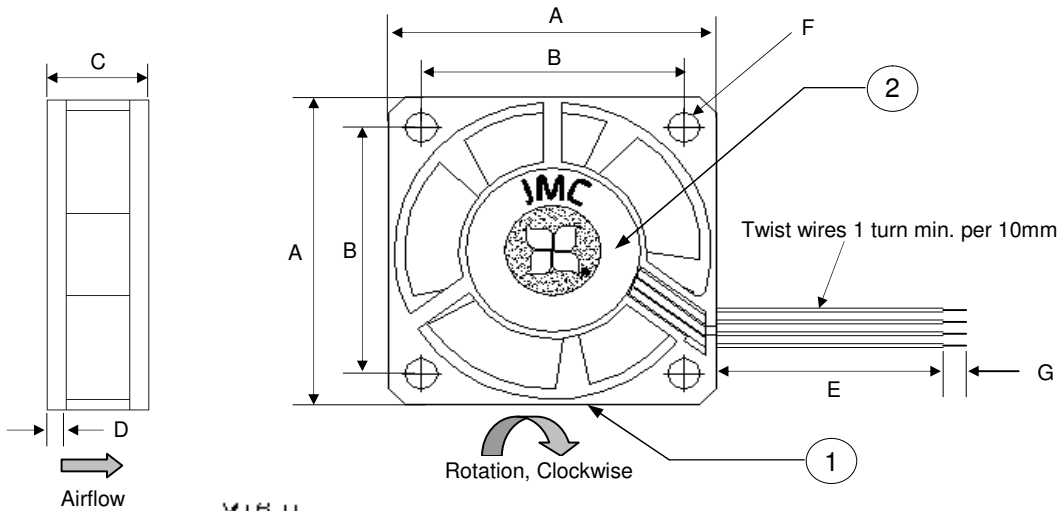


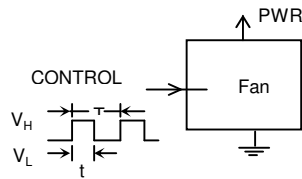
NOT RELEASED FOR PRODUCTION



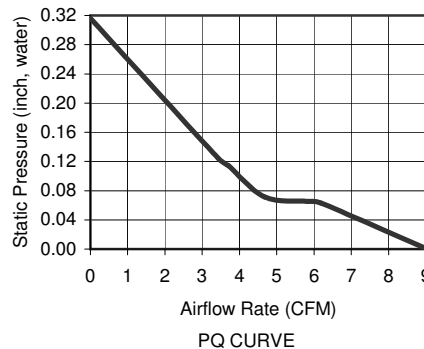
Frame Type (Closed Barrell)

WIRE DESIGNATION	
WIRE COLOR	FUNCTION
Black	GND (-)
Yellow	PWR (+)
Green	Signal (Tach)
Blue	PWM

All Dimensions in mm	
A	40 +/- 0.5
B	32 +/- 0.3
C	20 +/- 0.5
D	3 +/- 0.3
E	300 +/- 30
F	4 X 4.3 Dia +/- 0.3
G	6.4 +/- 1.0



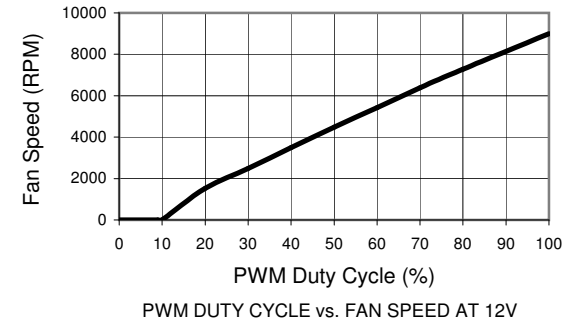
DUTY CYCLE = $t/T \times 100\%$
 PWM Fcy: 25KHz +/-5KHz
 PWM_High V_H : 2.8V - 5.5V
 PWM_Low V_L : 0V - 0.8V
 PWM Pin Open: Full Speed
 FRONT END PWM CIRCUIT



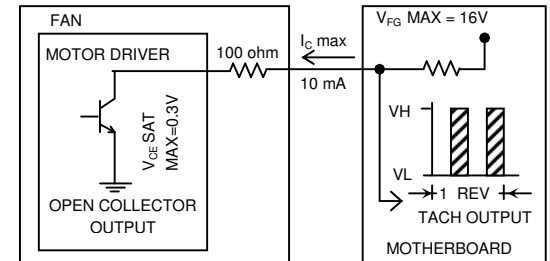
Revision History				
EC No	REV	Date	Description	Approvals
NA	X02	2/24/2010	Change wire type	JE
NA	X03	12/1/2010	Chg Operating Voltage	JE
NA	X04	10/11/2013	Updt. Current/dBA/Note 1	JE

NOTES

1. THIS FAN AND ALL OF ITS COMPONENTS COMPLY WITH THE REQUIREMENTS OF RoHS DIRECTIVE 2011/65/EU
2. BASE MODEL FAN - ANY CHANGES TO SPECIFICATION REQUIRES NEW PART NUMBER.
3. RPM TOLERANCE IS +/-30% AT DUTY CYCLES BELOW 30%. AT DUTY CYCLES BETWEEN 30% AND 100%, RPM TOLERANCE CONVERGES LINEARLY TO 10%.



	ITEM	SPECIFICATION	UNITS / NOTES
MECHANICAL	Speed	9000 +/- 10%	RPM at 12 Vdc
	Airflow	9.0	CFM in Free Air
	Static Pressure	0.32	Inch, H ₂ O
	Bearing Type	Dual Ball	N/A
	Operating Temp	(-)10 to 70	Deg C
	Storage Temp	(-) 40 to 70	Deg C
	Noise Level	35.0	dBA Max at 1M
	PHYSICAL	Blade Material	UL 94V-0
Frame Material		UL 94V-0	N/A
Wire Size		26	AWG
Wire Type		UL 1061	N/A
Wire Assembly		First Slot	N/A
Regulatory Approvals		UL CUL TUV	N/A
ELECTRICAL	Net Weight	25.0	Grams
	Operating Voltage	10.8 to 13.2	Vdc
	Start Up Duty Cycle	30	%
	Rated Current	0.12 (0.13 Max)	Amp
	Input Power	1.44 (1.56 Max)	Watts
	Tach Output	2	Pulses/Rev
	Polarity Protection	Yes	N/A
	Motor Protection	Yes	Type 2



2	1	Logo Label	L04001B0004	JMC
1	1	Fan Model	4020 - 12	JMC
Item	Qty	Description	Part Number	MFG
Austin Texas, USA			Fan, 40 x 20 mm, 12Vdc, PWM, DBB, Base Model	
Dong Guan, PRC				
Drawn By		The Fan Company	Size	Rev
S. Apsangi			A1	X04
Engineer		Scale: None	Drawing Number	Sheet 1 of 1
J. Elmo			04001B0004	

PROPRIETARY NOTE

This document is the property of JMC products and contains sensitive and confidential information. Neither this document nor any information it contains may be reproduced or distributed, without written permission by JMC products.