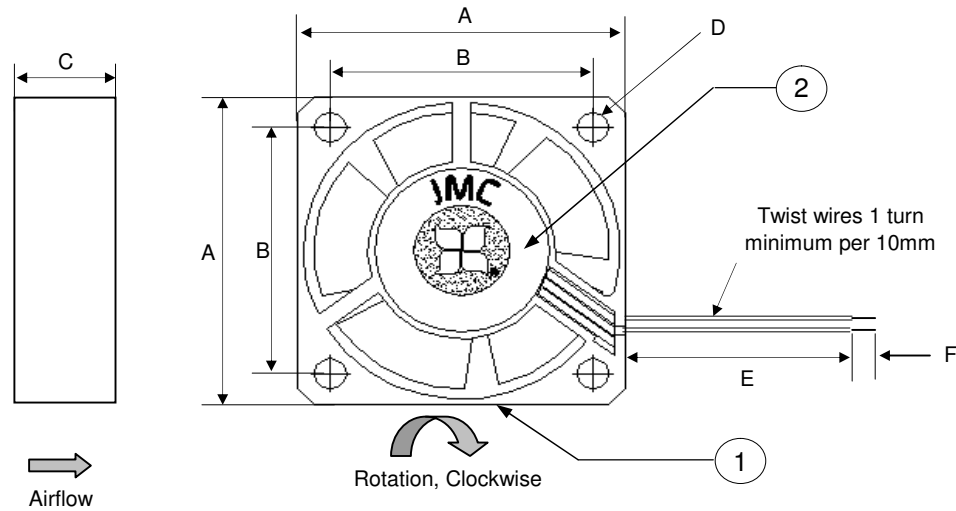


NOT RELEASED FOR PRODUCTION



Revision History				
EC No	REV	Date	Description	Approvals
NA	X00	6/1/2008	Created Dwg.	SA
NA	X01	10/10/2013	Updt. dBA/Current/CFM	JE

NOTES

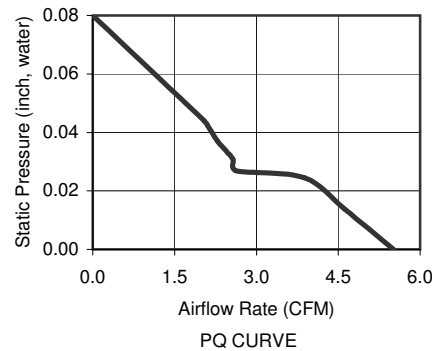
1. THIS FAN AND ALL OF ITS COMPONENTS COMPLY WITH THE REQUIREMENTS OF RoHS DIRECTIVE 2011/65/EU
2. BASE MODEL FAN - ANY CHANGES TO SPECIFICATION REQUIRES NEW PART NUMBER.

WIRE DESIGNATION	
WIRE COLOR	FUNCTION
Black	GND (-)
Red	PWR (+)

All Dimensions in mm	
A	40 +/- 0.5
B	32 +/- 0.3
C	10.5 +/- 0.5
D	4 x 3.5 +/- 0.3
E	300 +/- 30
F	6.4 +/- 1.0

Frame Type (Closed Barrell)

	ITEM	SPECIFICATION	UNITS / NOTES
MECHANICAL	Speed	5000 +/- 10%	RPM at 12 Vdc
	Airflow	5.51	CFM in Free Air
	Static Pressure	0.08	Inch, H ₂ O
	Bearing Type	Dual Ball	N/A
	Operating Temp	(-)10 to 70	Deg C
	Storage Temp	(-) 40 to 70	Deg C
	Noise Level	23.2	dBA Max at 1M
PHYSICAL	Blade Material	UL 94V-0	N/A
	Frame Material	UL 94V-0	N/A
	Wire Size	28	AWG
	Wire Type	UL 1007	N/A
	Wire Assembly	First Slot	N/A
	Regulatory Approvals	UL CUL TUV	N/A
ELECTRICAL	Net Weight	TBD	Grams
	Operating Voltage	10.8 - 13.2	Vdc
	Starting Voltage	10.8	Vdc
	Rated Current	0.05 (0.06 Max)	Amp
	Input Power	0.06 (0.72 Max)	Watts
	Tach Output	N/A	Pulses/Rev
	Polarity Protection	Yes	N/A
	Motor Protection	Yes	Type 1



2	1	Logo Label	L04000B0001	JMC
1	1	Fan Model	4010 - 12	JMC
Item	Qty	Description	Part Number	MFG
Austin Texas, USA Dong Guan, PRC		The Fan Company Fan, 40 x 10 mm, 12Vdc, Dual Ball, Base Model		
Drawn By S. Apsangi			Size A1	Drawing Number 04000B0001
Engineer J. Elmo		Scale: None		Sheet 1 of 1

PROPRIETARY NOTE

This document is the property of JMC products and contains sensitive and confidential information. Neither this document nor any information it contains may be reproduced or distributed, without written permission by JMC products.