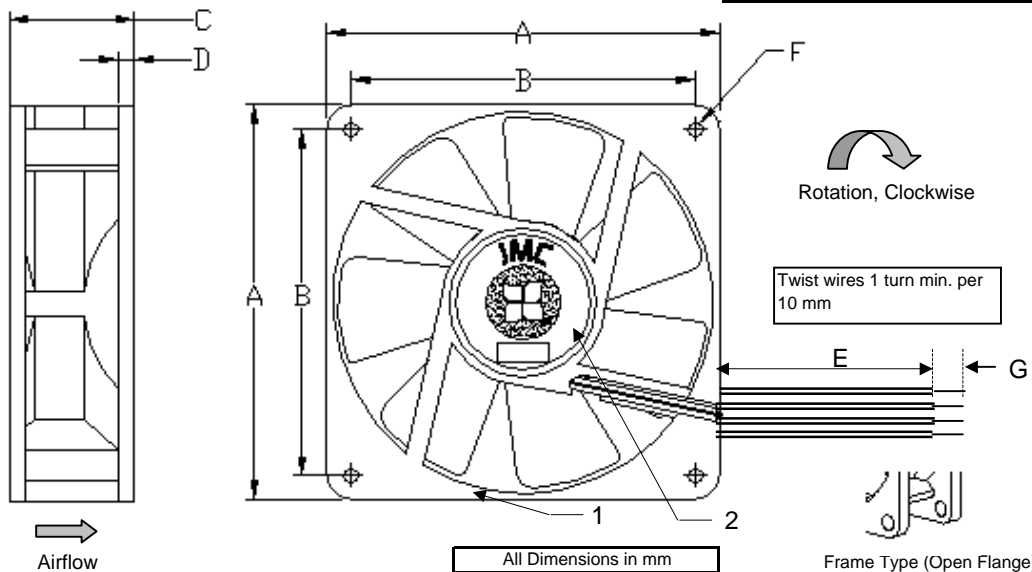
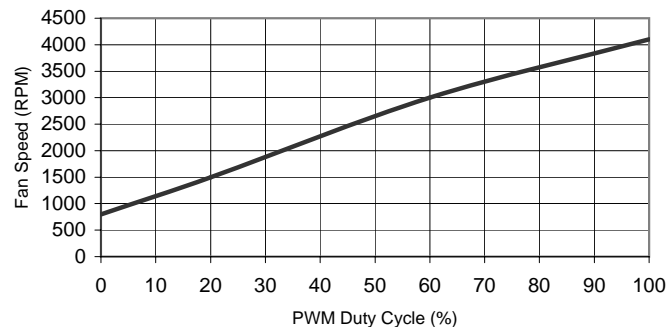


RELEASED FOR PRODUCTION



Revision History				
EC No	REV	Date	Description	Approvals
-	REL	4/22/08	Released dwg.	JE
110634	A	5/5/08	Update wire twist spec	JE

NOTES
 THIS FAN AND ALL OF ITS COMPONENTS COMPLY WITH THE REQUIREMENTS OF RoHS DIRECTIVE 2002/95/EC
 THIS IS A BASE MODEL FAN. ANY CHANGES TO THE SPECIFICATIONS WILL REQUIRE A NEW PART NUMBER AND DRAWING.

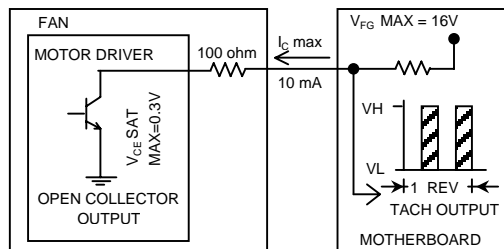


PWM DUTY CYCLE vs. FAN SPEED

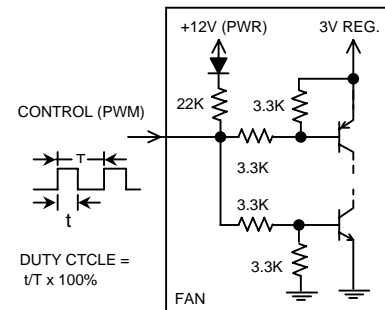
WIRE DESIGNATIONS		
1	Black	GND (-)
2	Yellow	PWR (+)
3	Green	TACH
4	Blue	PWM

All Dimensions in mm	
A	120 +/-0.5
B	105 +/-0.4
C	38.0 +/- 0.5
D	5.0 +/- 0.3
E	300 +/- 25
F	8 X 4.4 +/- 0.3
G	6.3 +/- 1.0

Frame Type (Open Flange)

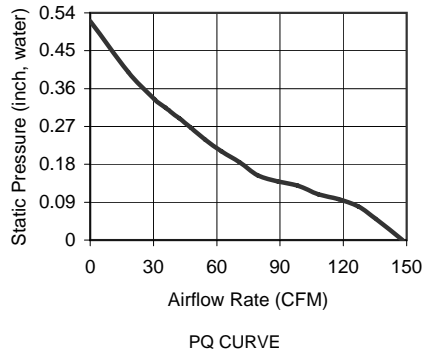


TACH OUTPUT ELECTRICAL CHARACTERISTICS



FRONT END PWM CIRCUIT

	ITEM	SPECIFICATION	UNITS / NOTES
MECHANICAL	Speed	800+/- 50% / 4100 +/- 10%	RPM at 12 Vdc
	Airflow	148.0	CFM in Free Air
	Static Pressure	0.5	Inch, H ₂ O
	Bearing Type	Ball, Dual	N/A
	Operating Temp	(-)10 to 70	Deg C
PHYSICAL	Storage Temp	(-) 40 to 70	Deg C
	Noise Level	53.0	dBA Max at 1M
	Blade Material	UL 94V-0	N/A
	Frame Material	UL 94V-0	N/A
	Wire Size	24	AWG
ELECTRICAL	Wire Type	UL 1007	N/A
	Wire Assembly	First Slot	N/A
	Regulatory Approvals	UL CUL TUV	N/A
	Net Weight	TBD	Grams
	Operating Voltage	10.8 - 13.2	Vdc
Start up Voltage	10.8	Vdc	
Start up PWM duty cycle	30	%	
Rated Current	1.4	Amp	
Input Power	16.8	Watts	
Tach Output	2	Pulses/Rev	
Polarity Protection	Yes	N/A	
Motor Protection	By Auto-Restart	N/A	



4	4	Terminal	NA	NA
3	1	Terminal Housing	NA	NA
2	1	Logo Label	L12002B0004	JMC
1	1	Fan Model	1238 - 12	JMC
Item	Qty	Description	Part Number	MFG

Austin Texas, USA Dong Guan, PRC		Fan, 120x38 MM, 12Vdc, Dual Ball, Base Model	
Drawn By P. Chapman		Size A1	Drawing Number 12002B0004
Electrical Engineer J. Elmo	Scale: None		Sheet 1 of 1

PROPRIETARY NOTE

This document is the property of JMC products and contains sensitive and confidential information. Neither this document nor any information it contains may be reproduced or distributed, without written permission by JMC products.