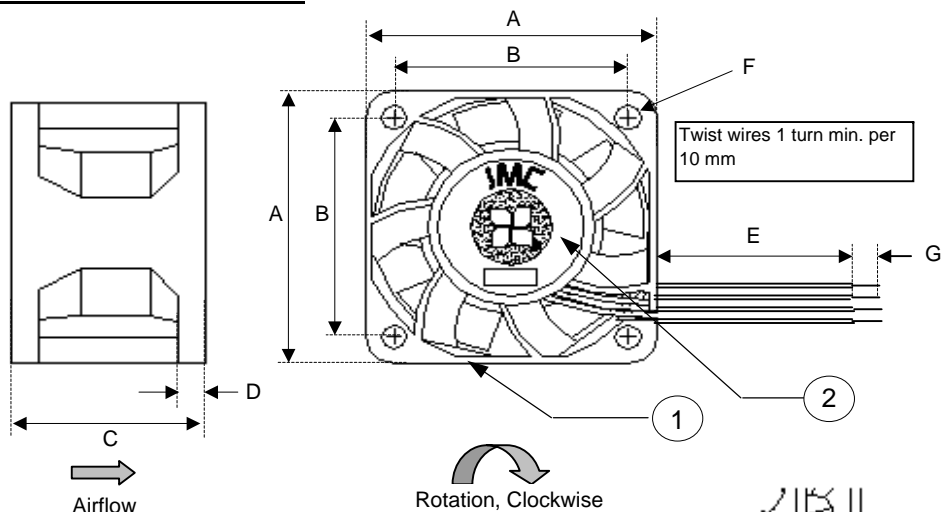


RELEASED FOR PRODUCTION

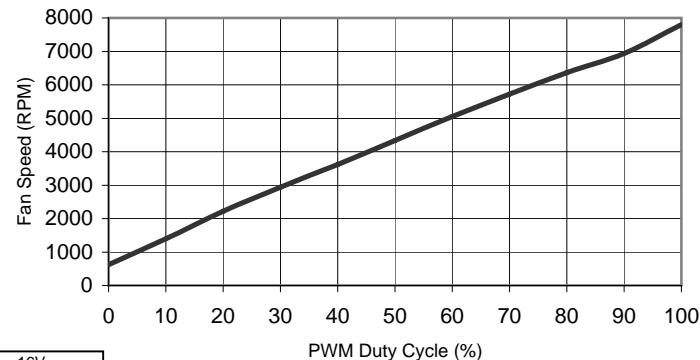


Frame Type (Open Flange)

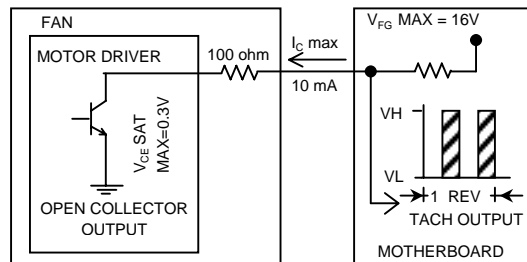
Revision History				
EC No	REV	Date	Description	Approvals
NA	X00	4/22/08	Created Drg.	JE
110735	REL	8/26/09	Released Dwg..	JE

NOTES

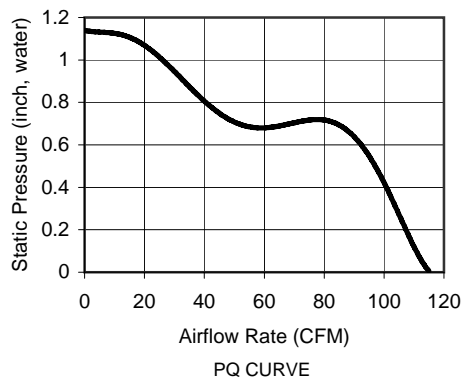
1. THIS FAN AND ALL OF ITS COMPONENTS COMPLY WITH THE REQUIREMENTS OF ROHS DIRECTIVE 2002/95/EC
2. RPM TOLERANCE IS +/-30% AT DUTY CYCLES BELOW 30%
3. BASE MODEL FAN - ANY CHANGES TO SPECIFICATION REQUIRES NEW PART NUMBER.



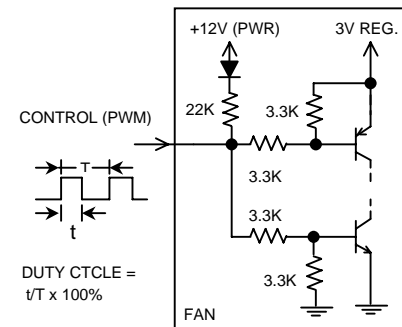
PWM DUTY CYCLE vs. FAN SPEED



TACH OUTPUT ELECTRICAL CHARACTERISTICS



PQ CURVE



FRONT END PWM CIRCUIT

CONNECTOR PINOUT		
1	Black	GND (-)
2	Yellow	PWR (12Vdc)
3	Green	TACH
4	Blue	PWM

All Dimensions in mm	
A	80 +/- 0.5
B	71.5 +/- 0.3
C	38.0 +/- 0.5
D	4.0 +/- 0.3
E	300 +/- 25
F	8 X 4.3 +/- 0.3
G	6.3 +/- 1.0

	ITEM	SPECIFICATION	UNITS / NOTES
MECHANICAL	Speed	8000 +/- 10%	RPM at 12 Vdc
	Airflow	115.0	CFM in Free Air
	Static Pressure	1.14	Inch, H ₂ O
	Bearing Type	Dual Ball	N/A
	Operating Temp	(-)10 to 70	Deg C
PHYSICAL	Storage Temp	(-) 40 to 70	Deg C
	Noise Level	64.5	dBA Max at 1M
	Blade Material	UL 94V-0	N/A
	Frame Material	UL 94V-0	N/A
	Wire Size	24	AWG
ELECTRICAL	Wire Type	UL 1007	N/A
	Wire Assembly	First Slot Only	N/A
	Regulatory Approvals	UL CUL TUV	N/A
	Net Weight	155.0	Grams
	Operating Voltage	10.8 - 13.2	Vdc
	Start up Voltage	NA	Vdc
	Start up PWM duty cycle	30	%
	Rated Current	2.15 (2.30 Max.)	Amp
Input Power	25.80 (27.60 Max.)	Watts	
Tach Output	2.0	Pulses/Rev	
Polarity Protection	Yes	N/A	
Motor Protection	By Auto-Restart	N/A	

2	1	Logo Label	L08003B0004	JMC
1	1	Fan Model	8038-12	JMC
Item	Qty	Description	Part Number	MFG

Austin Texas, USA Dong Guan, PRC		Fan, 80x38 FV, 12Vdc, PWM, DBB, Base Model		
Drawn By P. Chapman		Size A1	Drawing Number 08003B0004	Rev REL
Electrical Engineer J. Elmo	Scale: None		Sheet 1 of 1	

PROPRIETARY NOTE

This document is the property of JMC products and contains sensitive and confidential information. Neither this document nor any information it contains may be reproduced or distributed, without written permission by JMC products.