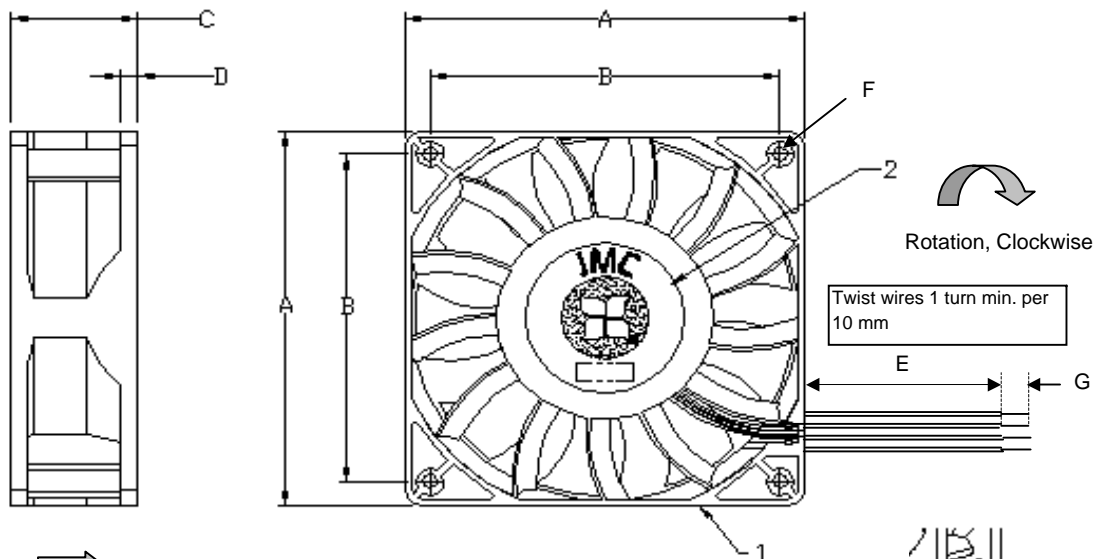


Revision History				
EC No	REV	Date	Description	Approvals
NA	X00	6/7/08	Created Dwg.	SA



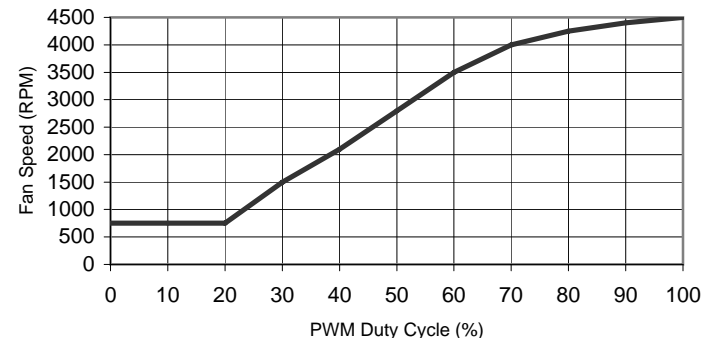
Rotation, Clockwise

Twist wires 1 turn min. per 10 mm

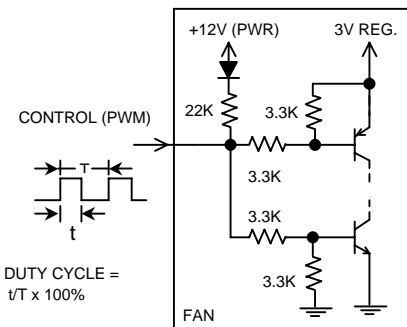
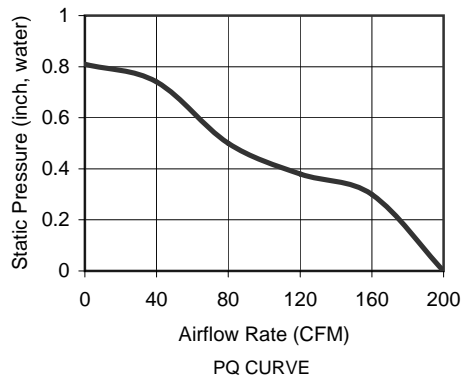
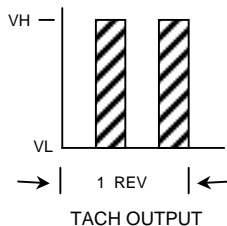
Frame Type (Open Flange)

All Dimensions in mm	
A	120 +/-0.5
B	105 +/-0.4
C	38.0+0.2 / -1.0
D	5.0 +/- 0.3
E	300 +/- 25
F	8 X 4.5 +/- 0.3
G	6.4 +/- 1.0

WIRE DESIGNATION	
Black	GND (-)
Yellow	PWR (+12Vdc)
Green	TACH
Blue	PWM



PWM DUTY CYCLE vs. FAN SPEED



FRONT END PWM CIRCUIT

	ITEM	SPECIFICATION	UNITS / NOTES
MECHANICAL	Speed	750 +/- 50% / 4500 +/- 10%	RPM at 12 Vdc
	Airflow	200.0	CFM in Free Air
	Static Pressure	0.82	Inch, H ₂ O
	Bearing Type	Ball, Dual	N/A
	Operating Temp	(-)10 to 70	Deg C
	Storage Temp	(-) 40 to 70	Deg C
PHYSICAL	Noise Level	60.3	dBA Max at 1M
	Blade Material	UL 94V-0	N/A
	Frame Material	UL 94V-0	N/A
	Wire Size	22	AWG
	Wire Type	UL 1007	N/A
	Wire Assembly	First Slot	N/A
ELECTRICAL	Regulatory Approvals	UL CUL TUV	N/A
	Net Weight	TBD	Grams
	Operating Voltage	10.8 - 13.2	Vdc
	Start up Voltage	NA	Vdc
	Start up PWM duty cycle	30	%
	Rated Current	2.5	Amp
	Input Power	30.0	Watts
	Tach Output	2	Pulses/Rev
Polarity Protection	Yes	N/A	
Motor Protection	By Auto Restart	N/A	

2	1	Logo Label	L12003B0004	JMC
1	1	Fan Model	1238 - 12	JMC
Item	Qty	Description	Part Number	MFG

Austin Texas, USA Dong Guan, PRC	JMC The Fan Company	Fan, 120 x 38 FV, 12Vdc, Dual Ball, Base Model		
Drawn By S. Apsangi	Size A1	Drawing Number 12003B0004	Rev X00	
Engineer J. Elmo	Scale: None		Sheet 1 of 1	

PROPRIETARY NOTE