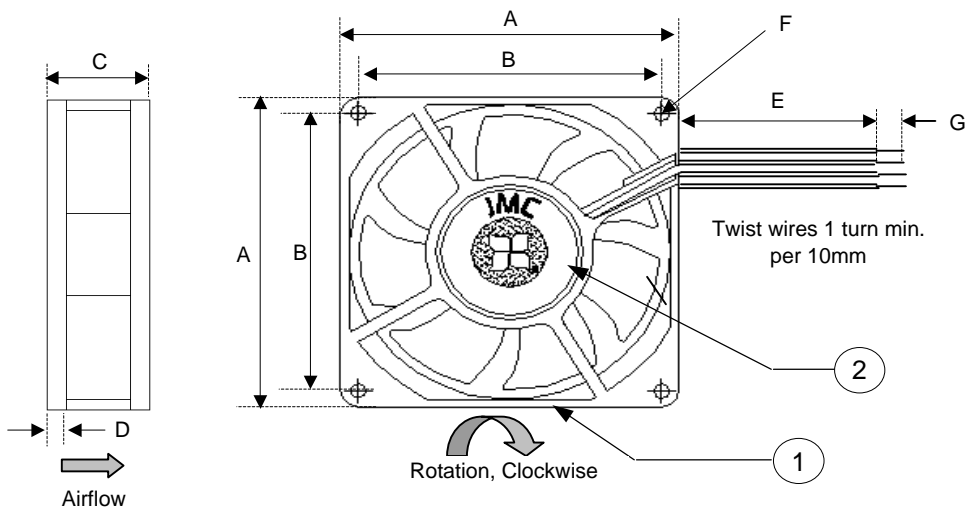
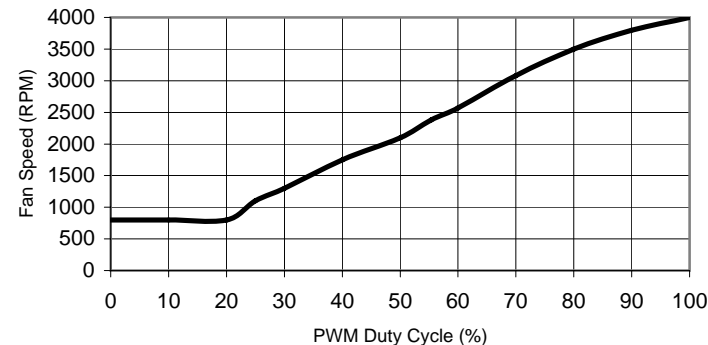


Revision History				
EC No	REV	Date	Description	Approvals
NA	X00	6/6/08	Created Drg.	SA



NOTES

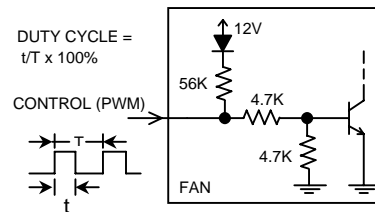
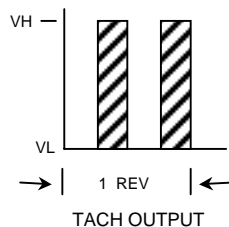
1. THIS FAN AND ALL OF ITS COMPONENTS COMPLY WITH THE REQUIREMENTS OF RoHS DIRECTIVE 2002/95/EC
2. BASE MODEL FAN - ANY CHANGES TO SPECIFICATION REQUIRES NEW PART NUMBER.



WIRE DESIGNATION	
Wire Color	Function
Black	GND (-)
Yellow	PWR (12Vdc)
Green	TACH
Blue	PWM

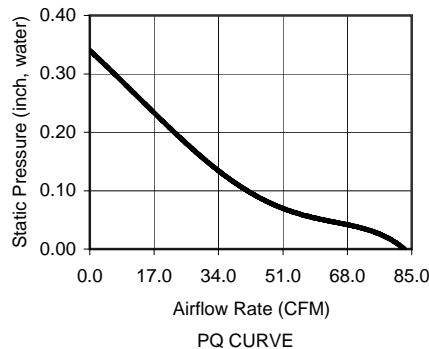
All Dimensions in mm	
A	92 +/- 0.5
B	82.5 +/- 0.3
C	32.0 +/- 0.5
D	4.0 +/- 0.3
E	300 +/- 25
F	8 X 4.4 Dia +/- 0.3
G	6.4 +/- 1.0

Frame Type (Open Flange)



FRONT END PWM CIRCUIT

	ITEM	SPECIFICATION	UNITS / NOTES
MECHANICAL	Speed	800 +/- 30% - 4000 +/- 10%	RPM at 12 Vdc
	Airflow	83.1	CFM in Free Air
	Static Pressure	0.34	Inch, H ₂ O
	Bearing Type	Dual Ball	N/A
	Operating Temp	(-)10 to 70	Deg C
	Storage Temp	(-) 40 to 70	Deg C
	Noise Level	45.0	dBA Max at 1M
PHYSICAL	Blade Material	UL 94V-0	N/A
	Frame Material	UL 94V-0	N/A
	Wire Size	26	AWG
	Wire Type	UL 1007	N/A
	Wire Assembly	First Slot Only	N/A
ELECTRICAL	Regulatory Approvals	UL CUL TUV	N/A
	Net Weight	TBD	Grams
	Operating Voltage	10.8 - 13.2	Vdc
	Start up PWM duty cycle	30.0	%
	Rated Current	0.85	Amp
	Input Power	10.2	Watts
	Tach Output	2	Pulses/Rev
	Polarity Protection	Yes	N/A
Motor Protection	By Auto-Restart	N/A	



2	1	Logo Label	L09201B0004	JMC
1	1	Fan Model	9232 - 12	JMC
Item	Qty	Description	Part Number	MFG
Austin Texas, USA Dong Guan, PRC		JMC The Fan Company	Fan, 92x 32 mm, 12Vdc Dual Ball, Base Model	
Drawn By S. Apsangi	Size A1	Drawing Number 09201B0004	Rev X00	
Engineer J. Elmo	Scale: None		Sheet 1 of 1	

PROPRIETARY NOTE

This document is the property of JMC products and contains sensitive and confidential information. Neither this document nor any information it contains may be reproduced or distributed, without written permission by JMC products.