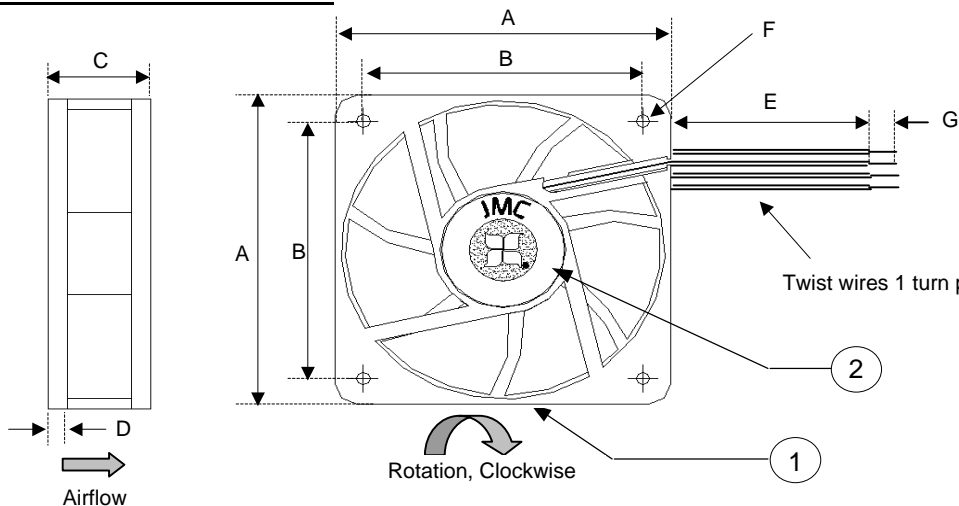


RELEASED FOR PRODUCTION



Frame Type (Open Flange)

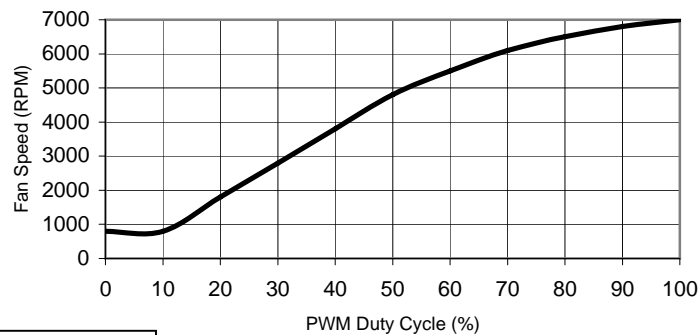
CONNECTOR PINOUT		
1	Black	GND (-)
2	Yellow	PWR (+12V)
3	Green	TACH
4	Blue	PWM

All Dimensions in mm	
A	60 +/- 0.5
B	50 +/-0.3
C	25 +/-0.5
D	3.5 +/-0.3
E	300 +/- 25
F	8 X 4.3 Dia +/- 0.3
G	6.3 +/- 1.0

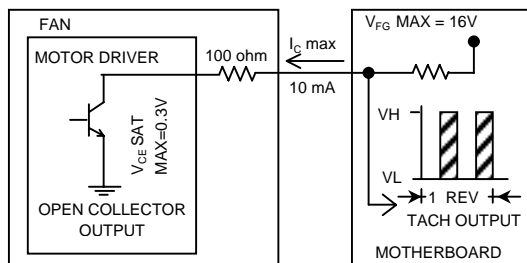
Revision History				
EC No	REV	Date	Description	Approvals
-	REL	4/21/08	RELEASED DWG.	JE

NOTES
THIS FAN AND ALL OF ITS COMPONENTS COMPLY WITH THE REQUIREMENTS OF RoHS DIRECTIVE 2002/95/EC

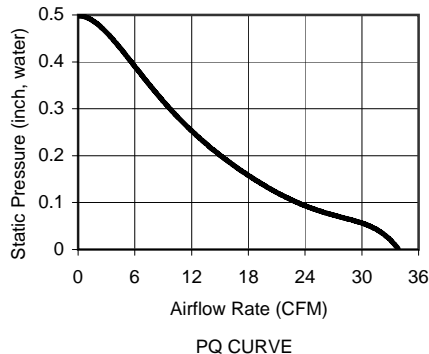
THIS IS A BASE MODEL FAN. ANY CHANGES TO THE SPECIFICATIONS WILL REQUIRE A NEW PART NUMBER AND DRAWING.



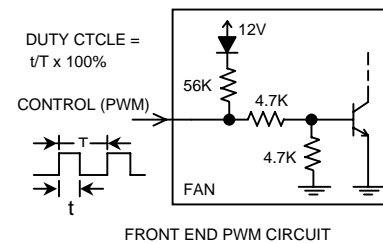
	ITEM	SPECIFICATION	UNITS / NOTES
MECHANICAL	Speed	300 +/- 50% / 7000 +/-10%	RPM at 12 Vdc
	Airflow	33	CFM in Free Air
	Static Pressure	0.5	Inch, H ₂ O
	Bearing Type	Ball, Dual	N/A
	Operating Temp	(-)10 to 70	Deg C
	Storage Temp	(-) 40 to 70	Deg C
	Noise Level	40.5	dBA Max at 1M
PHYSICAL	Blade Material	UL 94V-0	N/A
	Frame Material	UL 94V-0	N/A
	Wire Size	26.0	AWG
	Wire Type	UL 1007	N/A
	Wire Assembly	First Slot Only	N/A
ELECTRICAL	Regulatory Approvals	UL CUL TUV	N/A
	Net Weight	TBD	Grams
	Operating Voltage	10.8 - 13.2	Vdc
	Start up Duty Cycle	30.0	%
	Rated Current	0.45	Amp
	Input Power	5.4	Watts
	Tach Output	2	Pulses/Rev
Polarity Protection	Yes	N/A	
Motor Protection	By Auto-Restart	N/A	



TACH OUTPUT ELECTRICAL CHARACTERISTICS



PWM DUTY CYCLE vs. FAN SPEED



4	4	Terminal	NA	NA
3	1	Term Housing	NA	NA
2	1	Logo Label	L06003B0004	JMC
1	1	Fan Model	6025 - 12	JMC
Item	Qty	Description	Part Number	MFG
Austin Texas, USA			FAN, 60x25 mm, 12Vdc	
Dong Guan, PRC			Dual Ball, Base Model	
Drawn By		The Fan Company		
P. Chapman		Size	Drawing Number	Rev
Electrical Engineer		A1	06003B0004	REL
J. Elmo		Scale: None		Sheet 1 of 1

PROPRIETARY NOTE

This document is the property of JMC products and contains sensitive and confidential information. Neither this document nor any information it contains may be reproduced or distributed, without written permission by JMC products.