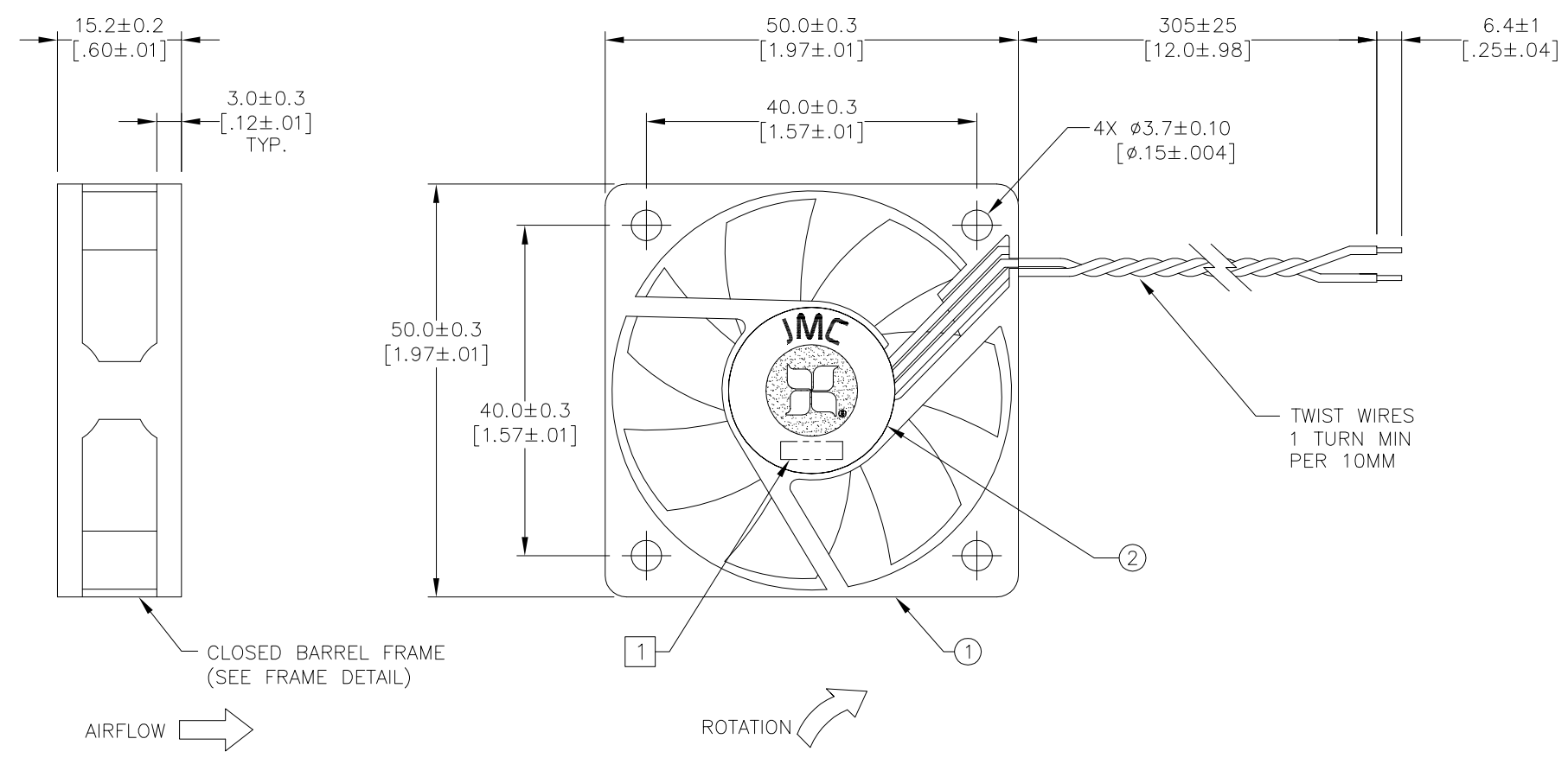
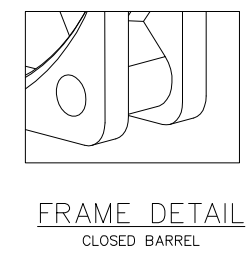


REVISION HISTORY				
EC NUMBER	DATE	DESC.	REV.	APPROVED
-	11/1/06	CREATED DWG.	PDF	RF

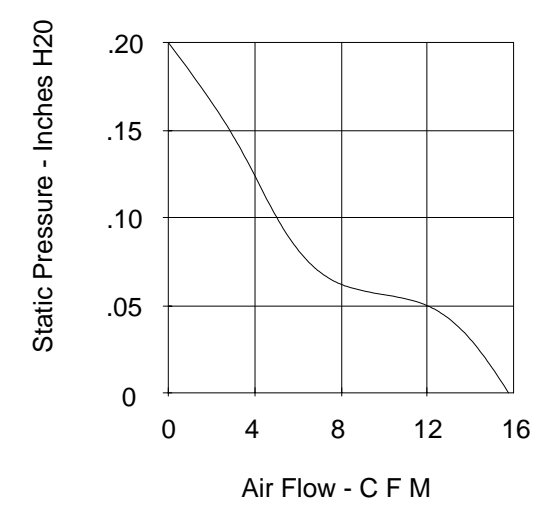


- NOTES:
- FAN LABEL MUST BE MARKED WITH DRAWING NUMBER TO AREA ON LABEL AS INDICATED USING SMALLEST LEGIBLE CHARACTER HEIGHT.
 - THIS FAN AND ALL OF ITS COMPONENTS COMPLY WITH THE REQUIREMENTS OF THE LEAD FREE ROHS DIRECTIVE 2002/95/EC.

WIRE DESIGNATIONS	
GND (-):	BLACK
PWR (+):	RED



	ITEM	SPECIFICATION	UNITS/NOTES
MECHANICAL	SPEED	5500 ± 10%	RPM AT 12 VDC
	AIRFLOW	15.8	CFM IN FREE AIR
	STATIC PRESSURE	.20	INCHES H ₂ O
	BEARING TYPE	BALL, DUAL	-
	OPERATING TEMP	-10 TO 70	°C
	STORAGE TEMP	-40 TO 70	°C
	NOISE LEVEL	29.6	dBA MAX AT 1M
PHYSICAL	BLADE MATERIAL	UL 94V-0	-
	FRAME MATERIAL	UL 94V-0	-
	WIRE SIZE	26	AWG
	WIRE TYPE	UL 1007	-
	REGULATORY APPROVALS	UL CUL TUV	-
ELECTRICAL	NET WEIGHT	30	GRAMS
	OPERATING VOLTAGE	8.0-13.0	VDC
	STARTING VOLTAGE	8.0	VDC
	RATED CURRENT	.16	AMP
	INPUT POWER	1.92	WATT
	TACH OUTPUT	N/A	PULSES/REV
	POLARITY PROTECTION	YES	-
LOCK ROTOR PROTECTION	BY AUTO RESTART	-	



PROPRIETARY NOTE
 THIS DOCUMENT IS THE PROPERTY OF JMC PRODUCTS OF AUSTIN, TEXAS AND CONTAINS SENSITIVE AND CONFIDENTIAL INFORMATION. NEITHER THIS DOCUMENT NOR ANY INFORMATION IT CONTAINS MAY BE REPRODUCED, DISTRIBUTED OR TRANSMITTED IN ANY FASHION, FOR ANY PURPOSE, EITHER IN WHOLE OR IN PART, WITHOUT EXPRESS WRITTEN PERMISSION BY AUTHORIZED OFFICIALS OF JMC PRODUCTS. THIS DOCUMENT MUST BE RETURNED ON DEMAND UPON COMPLETION OF ORDER OR UPON REQUEST.

ITEM	QTY	DESCRIPTION	PART NUMBER	MANUFAC.
2	1	LOGO LABEL	300050-3	JMC
1	1	FAN MODEL	5015-12HB	JMC

PRIMARY UNITS IN MILLIMETERS ALTERNATE UNITS [] IN INCHES				JMC AUSTIN, TEXAS	
TOLERANCE UNLESS OTHERWISE SPECIFIED X.X±0.3 [.01] X.XX±0.13 [.005]		TITLE FAN, 50x15 MM, 12V, DC, HSPD, DUAL BALL, STD		SIZE A2	DRAWING NO. 542610-0
DRAWN BY R. FISHER		DATE 11/1/06		SCALE: NONE	REV. PDF
ENGINEER R. FISHER		DATE 11/1/06		SHEET 1 OF 1	

DRAWING NO. 542610-0 REV. PDF