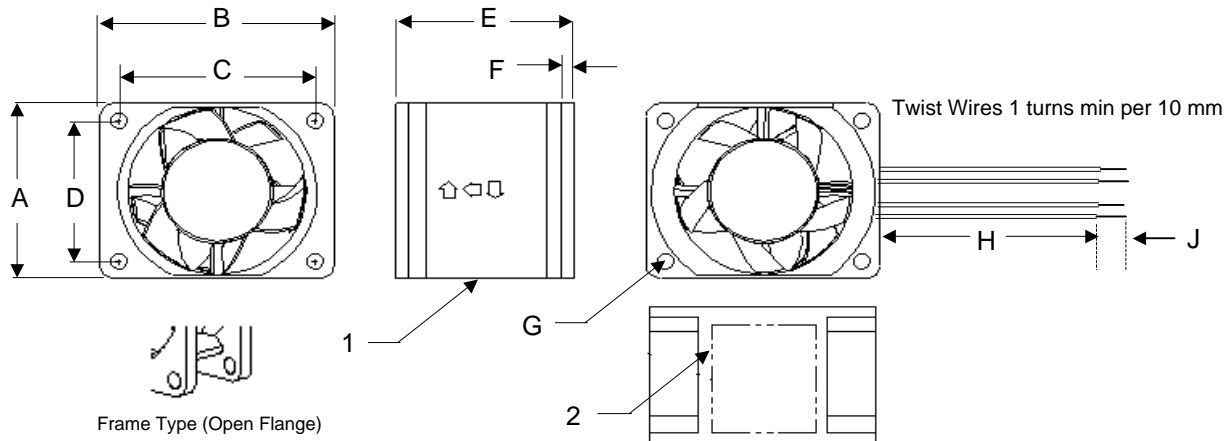


Revision History				
EC No	REV	Date	Description	Approvals
NA	X00	6/7/2008	Created Drg.	SA



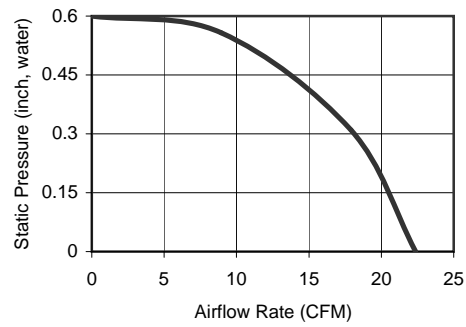
All Dimensions in mm	
A	40 +/- 0.5
B	50 +/- 0.5
C	42 +/- 0.3
D	32 +/- 0.3
E	38 +/- 0.5
F	2.5 +/- 0.3
G	8 X 3.5 +/- 0.3
H	300 +/- 25
J	6.4 +/- 1.0

WIRE DESIGNATION (inlet & exhaust)	
Wire Color	Function
Black	GND
Red	PWR, 12Vdc

NOTES

1. THIS FAN AND ALL OF ITS COMPONENTS COMPLY WITH THE REQUIREMENTS OF RoHS DIRECTIVE 2002/95/EC
2. BASE MODEL FAN - ANY CHANGES TO SPECIFICATION REQUIRES NEW PART NUMBER.

	ITEM	SPECIFICATION	UNITS / NOTES
MECHANICAL	Speed	10,200 +/- 10% (inlet)	RPM at 12 Vdc
	Airflow	22.4 (inlet & exhaust)	CFM in Free Air
	Static Pressure	0.60 (inlet & exhaust)	Inch, H ₂ O
	Bearing Type	Dual Ball (inlet & exhaust)	N/A
	Operating Temp	(-)10 to 70	Deg C
	Storage Temp	(-) 40 to 70	Deg C
	Noise Level	56.0	dBA Max at 1M
PHYSICAL	Blade Material	UL 94V-0	N/A
	Frame Material	UL 94V-0	N/A
	Wire Size	24	AWG
	Wire Type	UL 1007 or 1061	N/A
	Wire Assembly	Through Frame	N/A
	Regulatory Approvals	UL CUL TUV	N/A
ELECTRICAL	Net Weight	TBD	Grams
	Operating Voltage	10.8 - 13.2	Vdc
	Starting Voltage	10.8	Vdc
	Rated Current	0.75	Amp
	Input Power	9.0	Watts
	Tach Output	NA	Pulses/Rev
	Polarity Protection	Yes	N/A
	Motor Protection	By Autorestart	N/A



2	1	Logo Label	L04007B0003	JMC
1	1	Fan Model	405038-12	JMC
Item	Qty	Description	Part Number	MFG
Austin Texas, USA		 The Fan Company	Fan, 40x50x38 mm, 12Vdc	
Dong Guan, PRC			Dual Ball, Base Model	
Drawn By S. Apsangi		Size A1	Drawing Number 04007B0003	Rev X00
Engineer J. Elmo		Scale: None		Sheet 1 of 1

PROPRIETARY NOTE