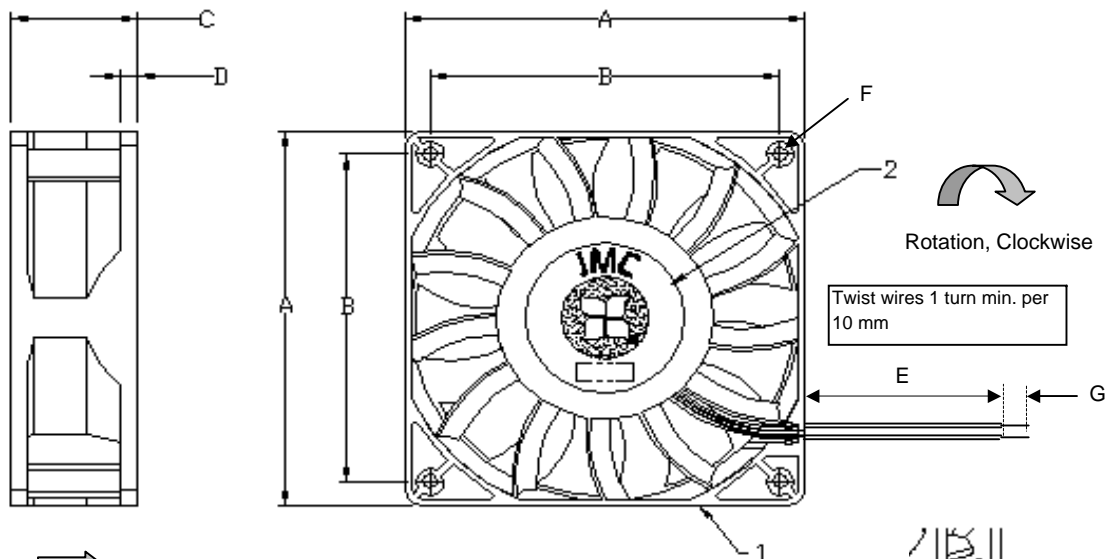


Revision History

EC No	REV	Date	Description	Approvals
NA	X00	6/7/08	Created Dwg.	SA
NA	X01	6/23/09	Added Max Amps	JE



NOTES

1. THIS FAN AND ALL OF ITS COMPONENTS COMPLY WITH THE REQUIREMENTS OF RoHS DIRECTIVE 2002/95/EC
2. BASE MODEL FAN - ANY CHANGES TO SPECIFICATION REQUIRES NEW PART NUMBER.

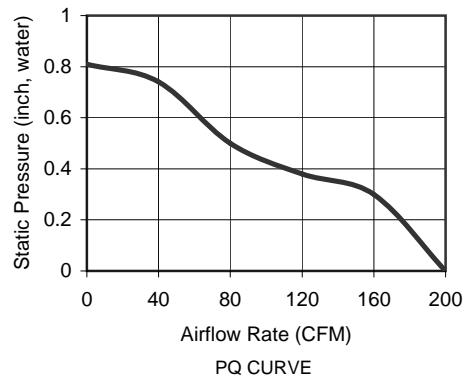


WIRE DESIGNATION	
Wire Color	Function
Black	GND
Red	PWR, 12Vdc

All Dimensions in mm	
A	120 +/-0.5
B	105 +/-0.4
C	38.0+0.2 / -1.0
D	5.0 +/- 0.3
E	300 +/- 25
F	8 X 4.5 +/- 0.3
G	6.4 +/- 1.0

Frame Type (Open Flange)

	ITEM	SPECIFICATION	UNITS / NOTES
MECHANICAL	Speed	4500 +/- 10%	RPM at 12 Vdc
	Airflow	200.0	CFM in Free Air
	Static Pressure	0.82	Inch, H ₂ O
	Bearing Type	Ball, Dual	N/A
	Operating Temp	(-)10 to 70	Deg C
	Storage Temp	(-) 40 to 70	Deg C
	Noise Level	60.3	dBA Max at 1M
PHYSICAL	Blade Material	UL 94V-0	N/A
	Frame Material	UL 94V-0	N/A
	Wire Size	22	AWG
	Wire Type	UL 1007	N/A
	Wire Assembly	First Slot	N/A
ELECTRICAL	Regulatory Approvals	UL CUL TUV	N/A
	Net Weight	TBD	Grams
	Operating Voltage	10.8 - 13.2	Vdc
	Start up Voltage	10.8	Vdc
	Start up PWM duty cycle	NA	%
	Rated Current	2.5 (3.0 Max)	Amp
	Input Power	30.0 (36.0 Max)	Watts
	Tach Output	NA	Pulses/Rev
	Polarity Protection	Yes	N/A
	Motor Protection	By Auto Restart	N/A



2	1	Logo Label	L12003B0003	JMC
1	1	Fan Model	1238 - 12	JMC
Item	Qty	Description	Part Number	MFG

Austin Texas, USA Dong Guan, PRC		 The Fan Company	Fan, 120 x 38 FV, 12Vdc, Dual Ball, Base Model	
Drawn By S. Apsangi			Size A1	Drawing Number 12003B0003
Engineer J. Elmo		Scale: None		Sheet 1 of 1

PROPRIETARY NOTE

This document is the property of JMC products and contains sensitive and confidential information. Neither this document nor any information it contains may be reproduced or distributed, without written permission by JMC products.