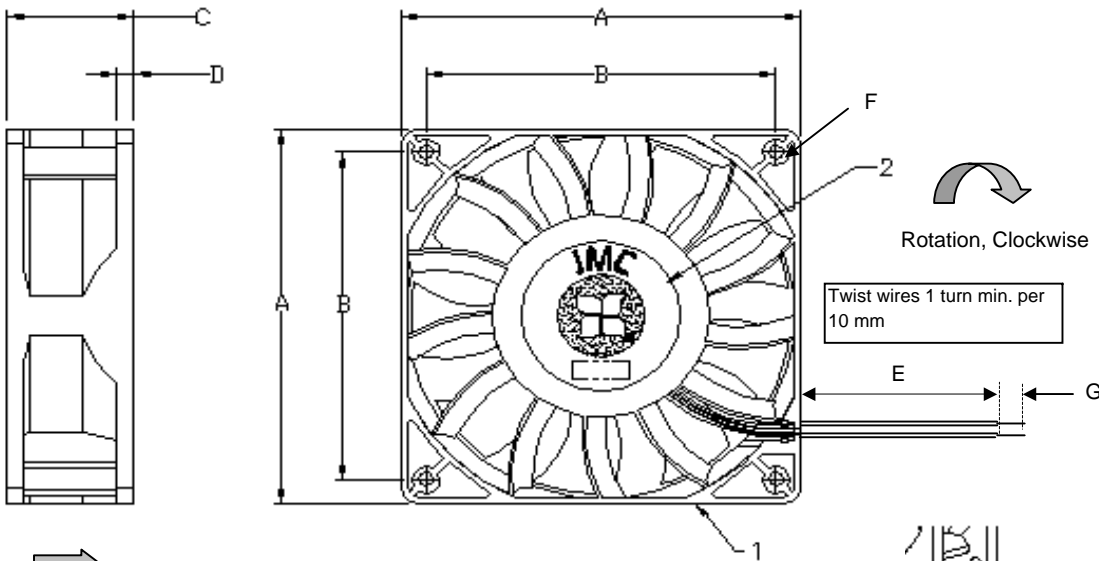


Revision History				
EC No	REV	Date	Description	Approvals
NA	X00	6/7/08	Created Dwg.	SA



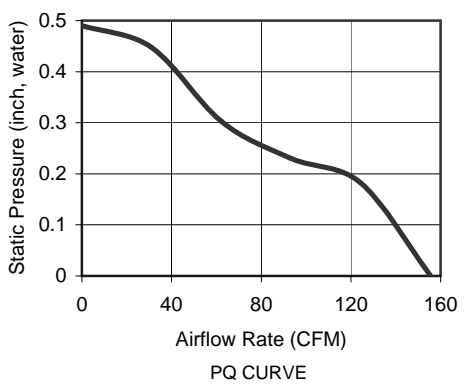
- NOTES**
1. THIS FAN AND ALL OF ITS COMPONENTS COMPLY WITH THE REQUIREMENTS OF RoHS DIRECTIVE 2002/95/EC
  2. BASE MODEL FAN - ANY CHANGES TO SPECIFICATION REQUIRES NEW PART NUMBER.

WIRE DESIGNATION	
Wire Color	Function
Black	GND
Red	PWR, 12Vdc

All Dimensions in mm	
A	120 +/-0.5
B	105 +/-0.4
C	38.0 +0.2 / -1.0
D	5.0 +/- 0.3
E	300 +/- 25
F	8 X 4.5 +/- 0.3
G	6.4 +/- 1.0

Frame Type (Open Flange)

	ITEM	SPECIFICATION	UNITS / NOTES
MECHANICAL	Speed	3500 +/- 10%	RPM at 12 Vdc
	Airflow	155.6	CFM in Free Air
	Static Pressure	0.5	Inch, H <sub>2</sub> O
	Bearing Type	Ball, Dual	N/A
	Operating Temp	(-)10 to 70	Deg C
	Storage Temp	(-) 40 to 70	Deg C
	Noise Level	54.8	dBA Max at 1M
PHYSICAL	Blade Material	UL 94V-0	N/A
	Frame Material	UL 94V-0	N/A
	Wire Size	22	AWG
	Wire Type	UL 1007	N/A
	Wire Assembly	First Slot	N/A
ELECTRICAL	Regulatory Approvals	UL CUL TUV	N/A
	Net Weight	TBD	Grams
	Operating Voltage	10.8 - 13.2	Vdc
	Start up Voltage	10.8	Vdc
	Start up PWM duty cycle	NA	%
	Rated Current	1.94	Amp
	Input Power	23.28	Watts
	Tach Output	NA	Pulses/Rev
	Polarity Protection	Yes	N/A
	Motor Protection	By Auto Restart	N/A



2	1	Logo Label	L12003B0002	JMC
1	1	Fan Model	1238 - 12	JMC
Item	Qty	Description	Part Number	MFG
Austin Texas, USA			Fan, 120 x 38 FV, 12Vdc, Dual Ball, Base Model	
Dong Guan, PRC			The Fan Company	
Drawn By S. Apsangi		Size A1	Drawing Number 12003B0002	Rev X00
Engineer J. Elmo		Scale: None		Sheet 1 of 1

PROPRIETARY NOTE