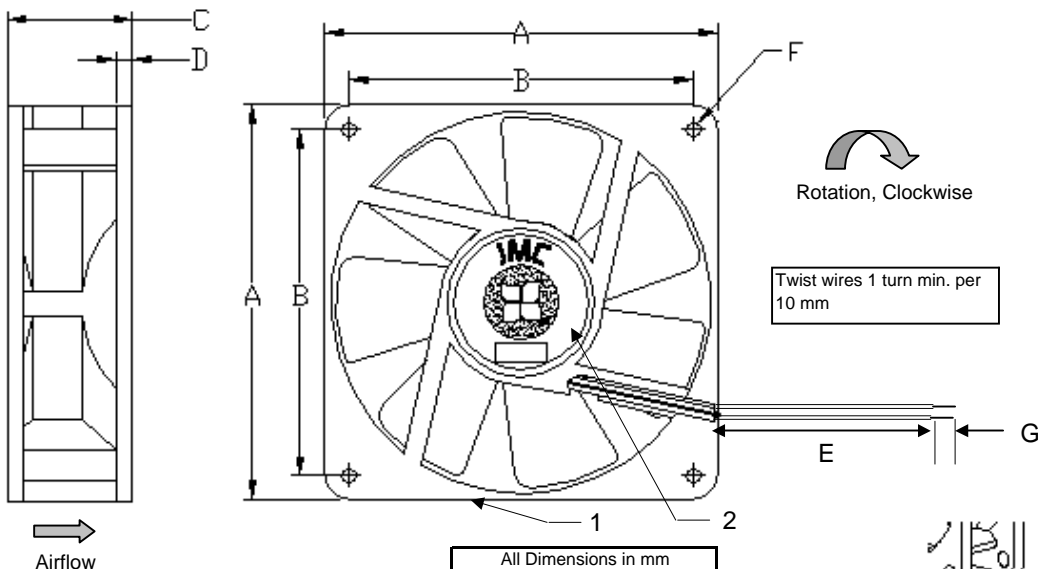


Revision History				
EC No	REV	Date	Description	Approvals
NA	X00	6/2/08	Created Drg.	SA



NOTES

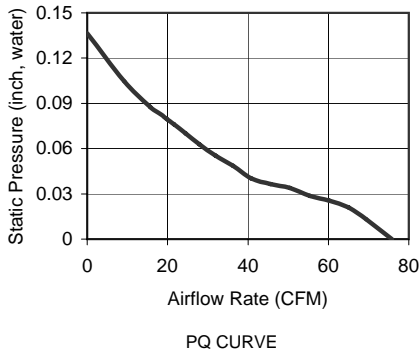
1. THIS FAN AND ALL OF ITS COMPONENTS COMPLY WITH THE REQUIREMENTS OF RoHS DIRECTIVE 2002/95/EC
2. BASE MODEL FAN - ANY CHANGES TO SPECIFICATION REQUIRES NEW PART NUMBER.

WIRE DESIGNATION	
Wire Color	Function
Black	GND
Red	PWR, 12Vdc

All Dimensions in mm	
A	120 +/-0.5
B	105 +/-0.4
C	38.0 +/- 0.5
D	5.0 +/- 0.3
E	300 +/- 25
F	8 X 4.4 +/- 0.3
G	6.4 +/- 1.0

Frame Type (Open Flange)

	ITEM	SPECIFICATION	UNITS / NOTES
MECHANICAL	Speed	2100 +/- 10%	RPM at 12 Vdc
	Airflow	76.0	CFM in Free Air
	Static Pressure	0.14	Inch, H ₂ O
	Bearing Type	Ball, Dual	N/A
	Operating Temp	(-)10 to 70	Deg C
	Storage Temp	(-) 40 to 70	Deg C
	Noise Level	32.5	dBA Max at 1M
PHYSICAL	Blade Material	UL 94V-0	N/A
	Frame Material	UL 94V-0	N/A
	Wire Size	24	AWG
	Wire Type	UL 1007	N/A
	Wire Assembly	First Slot	N/A
	Regulatory Approvals	UL CUL TUV	N/A
	Net Weight	TBD	Grams
ELECTRICAL	Operating Voltage	10.8 - 13.2	Vdc
	Start up Voltage	10.8	Vdc
	Start up PWM duty cycle	NA	%
	Rated Current	0.50	Amp
	Input Power	6.0	Watts
	Tach Output	NA	Pulses/Rev
	Polarity Protection	Yes	N/A
	Motor Protection	By Auto-Restart	N/A



2	1	Logo Label	L12002B0001	JMC
1	1	Fan Model	1238 - 12	JMC
Item	Qty	Description	Part Number	MFG
Austin Texas, USA			Fan, 120x38 mm, 12Vdc, Dual Ball, Base Model	
Dong Guan, PRC			Size	Drawing Number
Drawn By		A1	12002B0001	X00
S. Apsangi		Scale: None		
Engineer		Sheet 1 of 1		
J. Elmo				

PROPRIETARY NOTE

This document is the property of JMC products and contains sensitive and confidential information. Neither this document nor any information it contains may be reproduced or distributed, without written permission by JMC products.