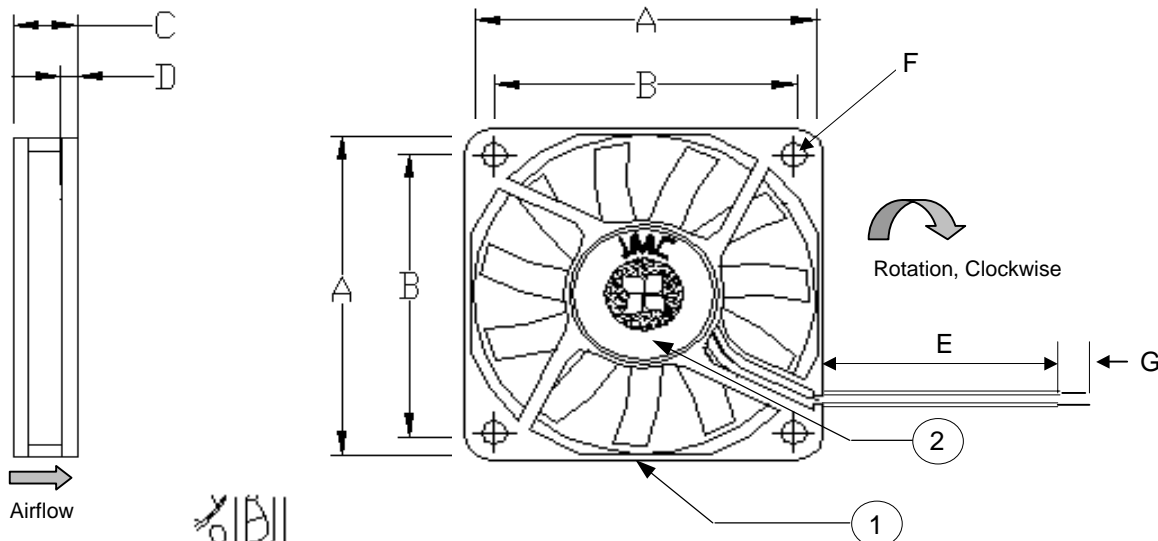


Revision History

EC No	REV	Date	Description	Approvals
NA	X00	6/5/08	Created Drg.	SA

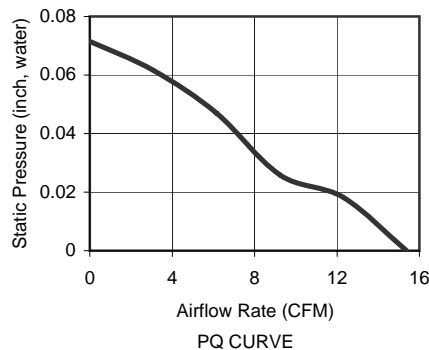


Frame Type (Closed Barrell)

WIRE DESIGNATION	
Wire Color	Function
Black	GND
Red	PWR, 12Vdc

All Dimensions in mm	
A	60 +/- 0.5
B	50 +/-0.3
C	10 +/-0.5
D	2.5 +/-0.3
E	300+/-25
F	4x 4.3 +/- 0.3 Dia
G	6.4 +/- 1.0

	ITEM	SPECIFICATION	UNITS / NOTES
MECHANICAL	Speed	3600 +/- 10%	RPM at 12 Vdc
	Airflow	15.4	CFM in Free Air
	Static Pressure	0.07	Inch, H ₂ O
	Bearing Type	Dual Ball	N/A
	Operating Temp	(-)10 to 70	Deg C
	Storage Temp	(-) 40 to 70	Deg C
	Noise Level	29.0	dBA Max at 1M
PHYSICAL	Blade Material	UL 94V-0	N/A
	Frame Material	UL 94V-0	N/A
	Wire Size	30	AWG
	Wire Type	UL 1007	N/A
	Wire Assembly	First Slot Only	N/A
	Regulatory Approvals	UL CUL TUV	N/A
ELECTRICAL	Net Weight	TBD	Grams
	Operating Voltage	10.8 to 13.2	Vdc
	Start up Voltage	10.8	Vdc
	Rated Current	0.09	Amp
	Input Power	1.08	Watts
	Tach Output	NA	Pulses/Rev
	Polarity Protection	Yes	N/A
	Motor Protection	By Impedance	N/A



2	1	Logo Label	L06000B0002	JMC
1	1	Fan Model	6010 -12	JMC
Item	Qty	Description	Part Number	MFG
Austin Texas, USA		JMC The Fan Company	FAN, 60x10 mm, 12Vdc	
Dong Guan, PRC			Dual Ball, Base Model	
Drawn By		Size	Drawing Number	Rev
S. Apsangi		A1	06000B0002	X00
Engineer		Scale: None		Sheet 1 of 1
J. Elmo				

PROPRIETARY NOTE

This document is the property of JMC products and contains sensitive and confidential information. Neither this document nor any information it contains may be reproduced or distributed, without written permission by JMC products.