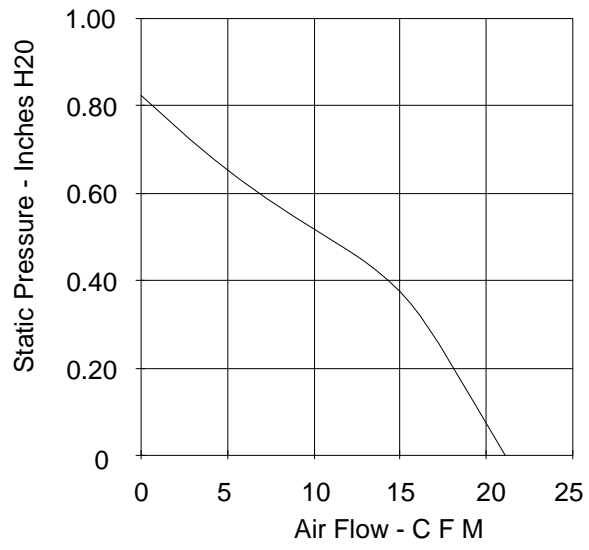
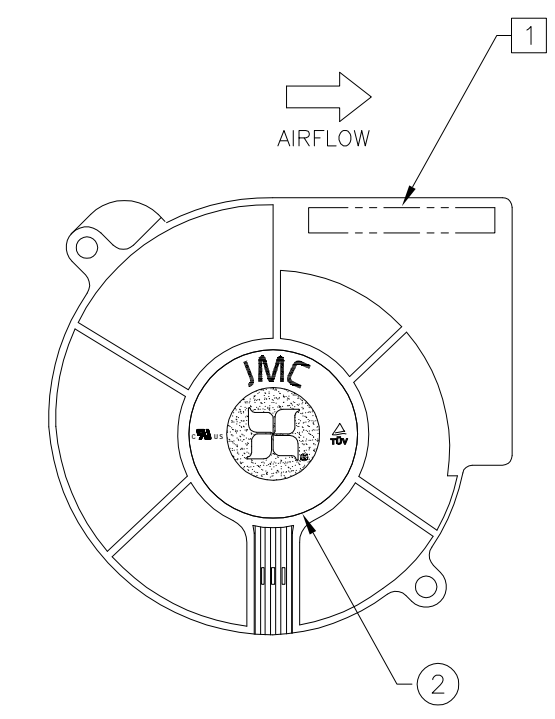
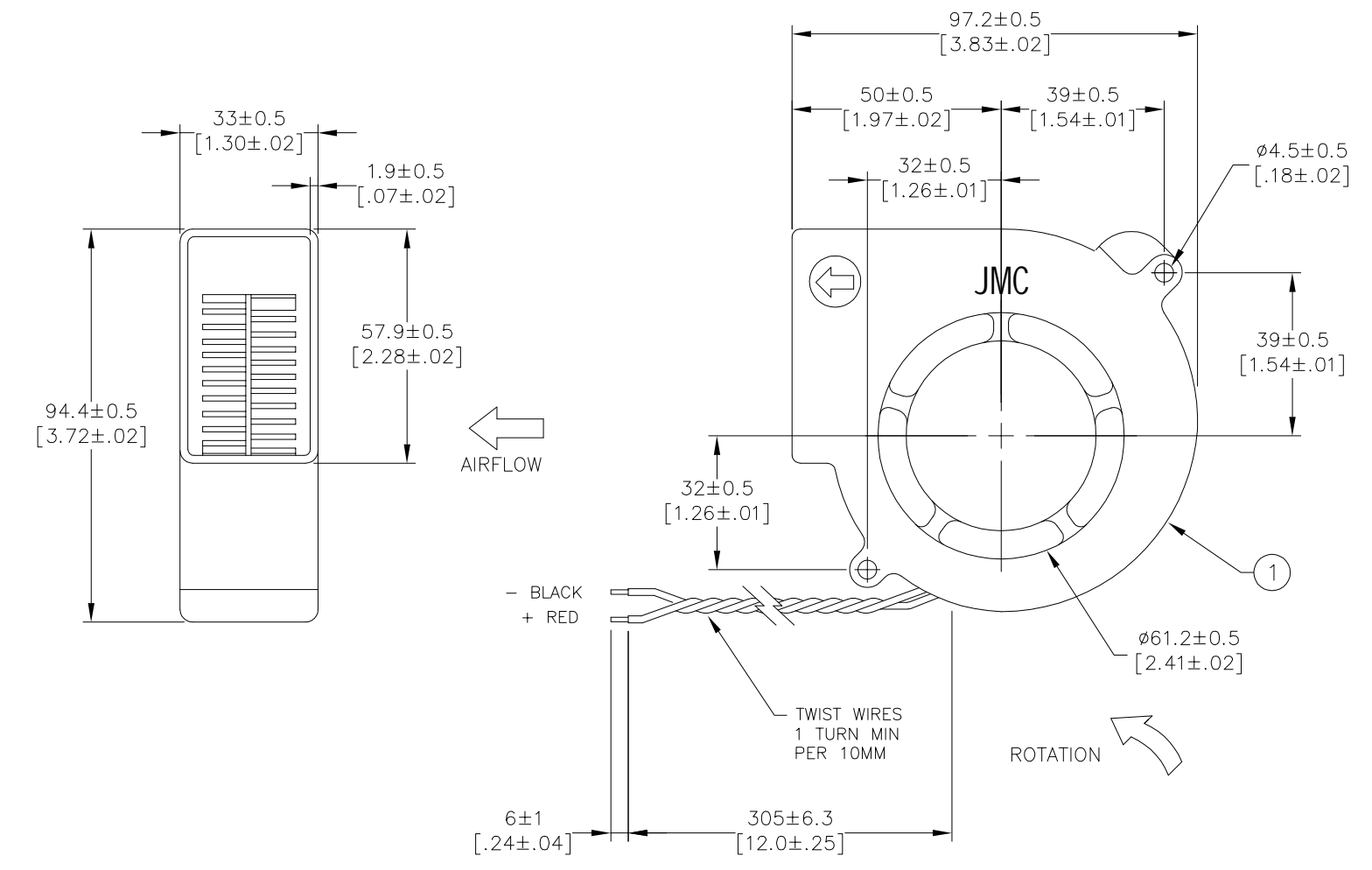


EC NUMBER	DATE	DESC.	APPROVED



	ITEM	SPECIFICATION	UNITS/NOTES
MECHANICAL	SPEED	3200 ± 10%	RPM AT 12 VDC
	AIRFLOW	21	CFM IN FREE AIR
	STATIC PRESSURE	.84	INCHES H <sub>2</sub> O
	BEARING TYPE	BALL, DUAL	-
	OPERATING TEMP	-10 TO 70	°C
	STORAGE TEMP	-40 TO 70	°C
	NOISE LEVEL	47.3	dBa MAX AT 1M
	L10 TEST DATA	75,000	HOURS
PHYSICAL	BLADE MATERIAL	UL 94V-0	-
	FRAME MATERIAL	UL 94V-0	-
	WIRE SIZE	26	AWG
	WIRE TYPE	UL 1007	-
	REGULATORY APPROVALS	UL CUL TUV	-
	NET WEIGHT	160	GRAMS
ELECTRICAL	OPERATING VOLTAGE	6.0-13.8	VDC
	STARTING VOLTAGE	6.0	VDC
	RATED CURRENT	.80	AMP
	INPUT POWER	9.6	WATT
	TACH OUTPUT	N/A	PULSES/REV
	MOTOR PROTECTION	POLARITY, AUTO RESTART	-

NOTES:  
 1 APPLY LABEL TO FLAT AREA APPROXIMATELY WHERE SHOWN USING SMALLEST LEGIBLE CHARACTER HEIGHT. LABEL MUST BE MARKED WITH DRAWING NUMBER AND REVISION.

**PROPRIETARY NOTE**  
 THIS DOCUMENT IS THE PROPERTY OF JMC PRODUCTS OF AUSTIN, TEXAS AND CONTAINS SENSITIVE AND CONFIDENTIAL INFORMATION. NEITHER THIS DOCUMENT NOR ANY INFORMATION IT CONTAINS MAY BE REPRODUCED, DISTRIBUTED OR TRANSMITTED IN ANY FASHION, FOR ANY PURPOSE, EITHER IN WHOLE OR IN PART, WITHOUT EXPRESS WRITTEN PERMISSION BY AUTHORIZED OFFICIALS OF JMC PRODUCTS. THIS DOCUMENT MUST BE RETURNED ON DEMAND UPON COMPLETION OF ORDER OR UPON REQUEST.

2	1	LOGO LABEL	300031-2	JMC
1	1	BLOWER MODEL	B9733-12MB	JMC
ITEM	QTY	DESCRIPTION	PART NUMBER	MANUFAC.
PRIMARY UNITS IN MILLIMETERS ALTERNATE UNITS [ ] IN INCHES		<b>JMC</b> AUSTIN, TEXAS TITLE: BLOWER, 97x94x33 MM, 12V DC M. SPEED, BALL		
TOLERANCE UNLESS OTHERWISE SPECIFIED X.X±0.3 [.01] X.XX±0.13 [.005]				
DRAWN BY: R. FISHER		DATE: 7/11/02	SIZE: A2	DRAWING NO.: 97332410-0-2
ENGINEER: R. SMITH		DATE: 7/11/02	SCALE: NONE	REV. PDF
			SHEET: 1 OF 1	