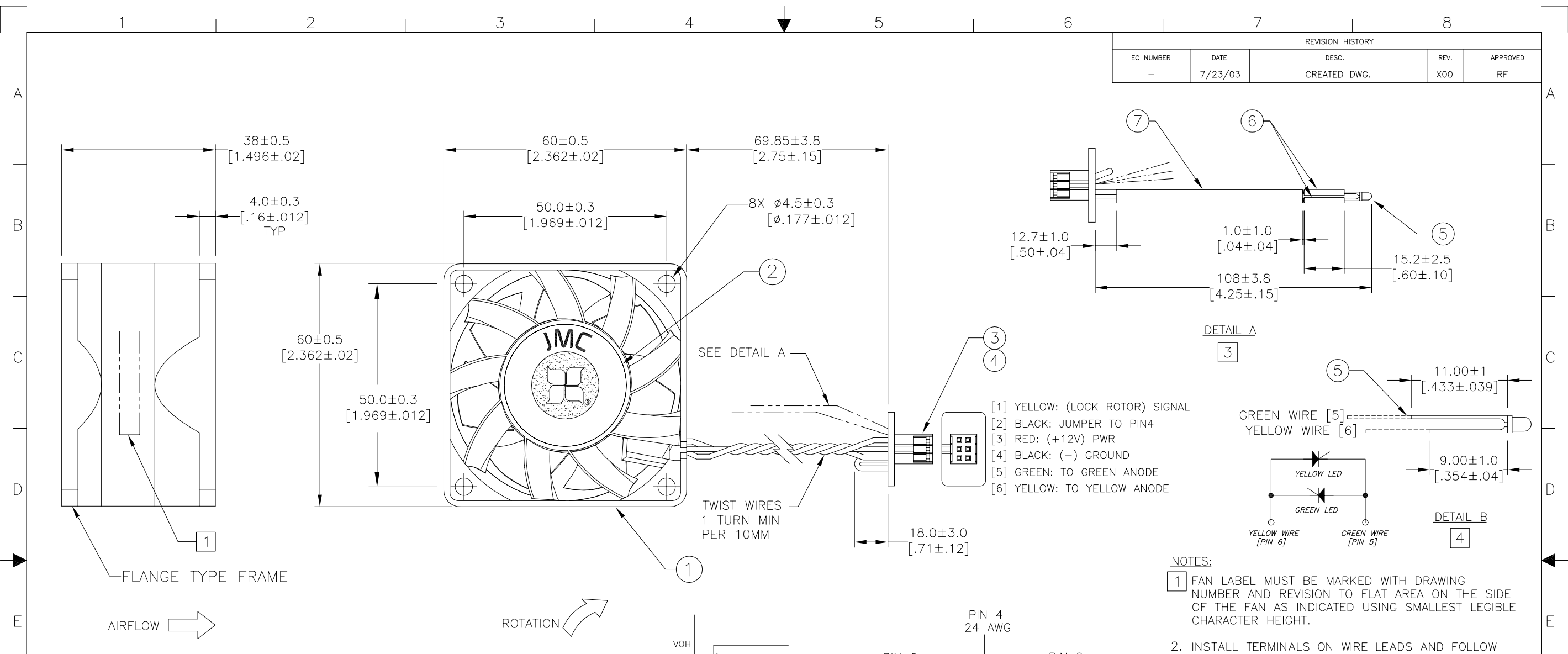
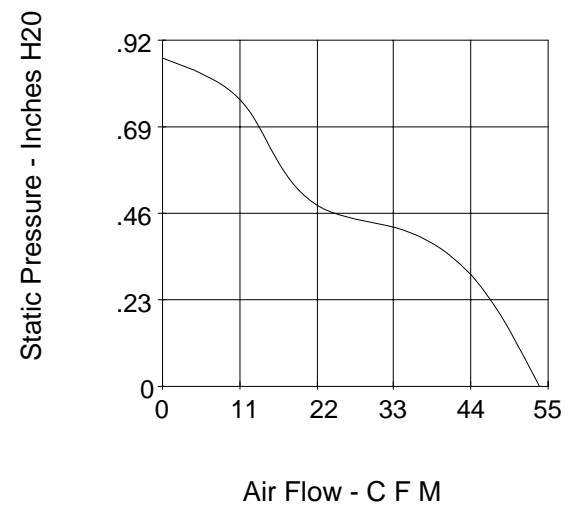
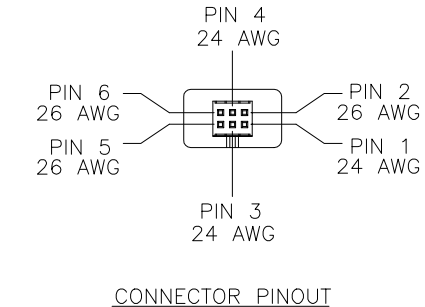
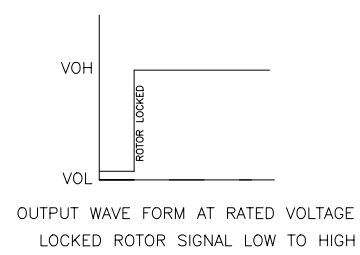


REVISION HISTORY				
EC NUMBER	DATE	DESC.	REV.	APPROVED
-	7/23/03	CREATED DWG.	X00	RF



- [1] YELLOW: (LOCK ROTOR) SIGNAL
- [2] BLACK: JUMPER TO PIN4
- [3] RED: (+12V) PWR
- [4] BLACK: (-) GROUND
- [5] GREEN: TO GREEN ANODE
- [6] YELLOW: TO YELLOW ANODE

- NOTES:
- [1] FAN LABEL MUST BE MARKED WITH DRAWING NUMBER AND REVISION TO FLAT AREA ON THE SIDE OF THE FAN AS INDICATED USING SMALLEST LEGIBLE CHARACTER HEIGHT.
  - [2] INSTALL TERMINALS ON WIRE LEADS AND FOLLOW CONNECTOR PINOUT DIAGRAM FOR PROPER FAN OPERATION.
  - [3] APPLY UL APPROVED BLACK CIAC HEAT SHRINK TUBE APPROXIMATELY WHERE SHOWN USING SPECIFIED DIMENSIONS. SEE DETAIL A.
  - [4] DUAL LED MUST BE CUT TO SPECIFIED DIMENSIONS PER DETAIL B. LONGER LEAD IS ANODE TO GREEN LED, SHORTER LEAD IS ANODE TO AMBER LED.



	ITEM	SPECIFICATION	UNITS/NOTES
MECHANICAL	SPEED	8500 ± 10%	RPM AT 12 VDC
	AIRFLOW	54	CFM IN FREE AIR
	STATIC PRESSURE	.90	INCHES H <sub>2</sub> O
	BEARING TYPE	BALL, DUAL	-
	OPERATING TEMP	-10 TO 70	°C
	STORAGE TEMP	-40 TO 70	°C
	NOISE LEVEL	TBD	dBA MAX AT 1M
PHYSICAL	L10 TEST DATA	75,000	HOURS
	BLADE MATERIAL	UL 94V-0	-
	FRAME MATERIAL	UL 94V-0	-
	WIRE SIZE	SEE PINOUT CHART	AWG
ELECTRICAL	WIRE TYPE	UL 1007	-
	REGULATORY APPROVALS	UL CUL TUV	-
	NET WEIGHT	89	GRAMS
	OPERATING VOLTAGE	3.5-13.8	VDC
	STARTING VOLTAGE	3.5	VDC
	RATED CURRENT	.80 NOMINAL / 1.2 MAX	AMP
	INPUT POWER	9.6 / 14.4	WATT
TACH OUTPUT	N/A	PULSES/REV	
MOTOR PROTECTION	POLARITY, AUTO-RESTART	-	

ITEM	QTY	DESCRIPTION	PART NUMBER	MANUFAC.
7	A/R	STD 2MM HEAT SHRINK TUBING	-	-
6	A/R	STD 1MM HEAT SHRINK TUBING	-	-
5	1	DUAL COLOR LED	L-937GYW-CPQ	KINGBRIGHT
4	3	CRIMP STYLE TERMINAL	051-0010-581	FOXCONN
3	1	TERMINAL HOUSING	009-0206-059	FOXCONN
2	1	LOGO LABEL	300083	JMC
1	1	FAN MODEL	6038-12HB [HB]	JMC

PRIMARY UNITS IN MILLIMETERS  
ALTERNATE UNITS [ ] IN INCHES

TOLERANCE UNLESS OTHERWISE SPECIFIED  
X.X±0.3 [.01]  
X.XX±0.13 [.005]

THIRD ANGLE PROJECTION

**JMC** AUSTIN, TEXAS

TITLE: FAN, 60x38 MM, 12V, DC, HHSPD, DBB, LR, CONN, CSTM

DRAWN BY: R. FISHER DATE: 7/23/03  
ENGINEER: A. ARREDONDO DATE: 7/23/03

SIZE: A2 DRAWING NO.: A6429712-4 REV. X00  
SCALE: NONE SHEET: 1 OF 1

DRAWING NO. A6429712-4 REV. X00